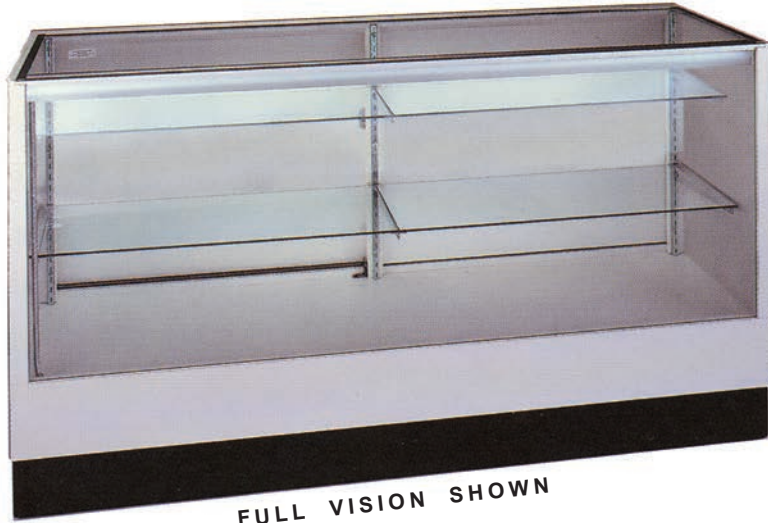


The Standard White Line

THE STANDARD WHITE LINE FEATURES:

- Fluorescent Lighting
- Sliding doors with lock (no mirrors)
- Solid Sides
- Matte white formica exterior
- Closed storage area in half and quarter vision cases
- Available in 4', 5' and 6' lengths and corner cases
- Showcases are available in full, half and quarter vision
- Corner cases are available in half and quarter vision only

Placement
Grid Required



FULL VISION SHOWN

Standard White Showcase Rental Order Form

Telephone orders not accepted

SIZE	QUANTITY			ADVANCED PRICE	PRICE FOR ORDERS RECEIVED AFTER 04/17/17	SHOW SITE PRICE	TOTAL
	FULL VISION	HALF VISION	QUARTER VISION				
4 FOOT				\$355.00	\$380.00	\$530.00	
5 FOOT				\$355.00	\$380.00	\$530.00	
6 FOOT				\$355.00	\$380.00	\$530.00	
CORNER	X			\$380.00	\$405.00	\$555.00	

* "Mandatory" - Add \$25.00 per showcase, electrical connection fee \$ _____

SUBTOTAL \$ _____

8.15% SALES TAX \$ _____

FIRM NAME: _____ AMOUNT ENCLOSED \$ _____

ADDRESS: _____ BOOTH NO(S): _____

CITY & STATE: _____ ZIP CODE: _____

AUTHORIZED BY: _____ PHONE: _____

E-MAIL ADDRESS: _____ FAX: _____

Return Copy to: **AMERICAN FIXTURE & DISPLAY CORP.**

www.americanfixture.com

15-04 130TH STREET • COLLEGE POINT, NEW YORK 11356

PHONE (718) 463-2176 • FAX (718) 463-4302 • E-MAIL: orders@americanfixture.com

with your check, payable in U.S. funds drawn on a U.S. bank, in full payment or with the following credit card information completed, before the deadline date of: APRIL 17th, 2017.

DISCOVER, AMEX, VISA, M/C #: _____ EXP. DATE: _____

NAME ON CARD: _____ SEC. CODE: _____

SIGNATURE: _____ DATE: _____

CASES ARE RENTED FOR DISPLAY PURPOSES ONLY AND WE DO NOT WARRANT THE SAFETY OR SECURITY THEREOF. WE ARE NOT LIABLE FOR CONTENTS, DAMAGE OR BREAKAGE AFTER CASES HAVE BEEN DELIVERED.

*An electrical connection fee of \$25.00 per showcase has been negotiated by Reed Exhibitions to insure a smoother move in for Exhibitors. American Fixture & Display Corp. has agreed to assist by collecting this fee and remitting it to the appropriate parties.

THE ACCENT CUBE

Placement
Grid Required



WHITE

- Aluminum Frame
- White
- 3 fixed 50 watt lights
- 18" x 18" x 70" with 18" x 18" x 18" glass display area
- Locking, hinged frameless glass door
- Locking storage in base

LIMITED QUANTITIES AVAILABLE

STYLE	QUANTITY	PRICE	PRICE FOR ORDERS RECEIVED AFTER 04/17/17	SHOW SITE PRICE	TOTAL
SILVER / WHITE		\$285.00	\$310.00	\$460.00	

* "Mandatory" - Add \$25.00 per showcase, electrical connection fee \$ _____

SUBTOTAL \$ _____

8.15% SALES TAX \$ _____

FIRM NAME: _____ AMOUNT ENCLOSED \$ _____

ADDRESS: _____ BOOTH NO(S): _____

CITY & STATE: _____ ZIP CODE: _____

AUTHORIZED BY: _____ PHONE: _____

E-MAIL ADDRESS: _____ FAX: _____

Return Copy to: **AMERICAN FIXTURE & DISPLAY CORP.**

www.americanfixture.com

15-04 130TH STREET • COLLEGE POINT, NEW YORK 11356

PHONE (718) 463-2176 • FAX (718) 463-4302 • E-MAIL: orders@americanfixture.com

with your check, payable in U.S. funds drawn on a U.S. bank, in full payment or with the following credit card information completed, before the deadline date of: APRIL 17th, 2017.

DISCOVER, AMEX, VISA, M/C #: _____ EXP. DATE: _____

NAME ON CARD: _____ SEC. CODE: _____

SIGNATURE: _____ DATE: _____

CASES ARE RENTED FOR DISPLAY PURPOSES ONLY AND WE DO NOT WARRANT THE SAFETY OR SECURITY THEREOF. WE ARE NOT LIABLE FOR CONTENTS, DAMAGE OR BREAKAGE AFTER CASES HAVE BEEN DELIVERED.

*An electrical connection fee of \$25.00 per showcase has been negotiated by Reed Exhibitions to insure a smoother move in for Exhibitors. American Fixture & Display Corp. has agreed to assist by collecting this fee and remitting it to the appropriate parties.

MUSEUM STYLE PEDESTAL

FEATURES:

LED Lights Available
CALL FOR DETAILS

Placement
Grid Required



- 8" Canopy
- Lighted display area
- Glass doors with lock
- Locking storage section
- 70" high x 20" deep x 30" wide
- 20" high glass display area

CHOICES:

- Aluminum frame/White/
6 Halogen Lights

STYLE	QUANTITY	PRICE	PRICE FOR ORDERS RECEIVED AFTER 04/17/17	SHOW SITE PRICE	TOTAL
Alum/White		\$415.00	\$440.00	\$590.00	

* "Mandatory" - Add \$25.00 per showcase, electrical connection fee \$ _____

SUBTOTAL \$ _____

8.15% SALES TAX \$ _____

FIRM NAME: _____ AMOUNT ENCLOSED \$ _____

ADDRESS: _____ BOOTH NO(S): _____

CITY & STATE: _____ ZIP CODE: _____

AUTHORIZED BY: _____ PHONE: _____

E-MAIL ADDRESS: _____ FAX: _____

Return Copy to: **AMERICAN FIXTURE & DISPLAY CORP.**

www.americanfixture.com

15-04 130TH STREET • COLLEGE POINT, NEW YORK 11356

PHONE (718) 463-2176 • FAX (718) 463-4302 • E-MAIL: orders@americanfixture.com

with your check, payable in U.S. funds drawn on a U.S. bank, in full payment or with the following credit card information completed, before the deadline date of: APRIL 17th, 2017.

DISCOVER, AMEX, VISA, M/C #: _____ EXP. DATE: _____

NAME ON CARD: _____ SEC. CODE: _____

SIGNATURE: _____ DATE: _____

CASES ARE RENTED FOR DISPLAY PURPOSES ONLY AND WE DO NOT WARRANT THE SAFETY OR SECURITY THEREOF.
WE ARE NOT LIABLE FOR CONTENTS, DAMAGE OR BREAKAGE AFTER CASES HAVE BEEN DELIVERED.

*An electrical connection fee of \$25.00 per showcase has been negotiated by Reed Exhibitions to insure a smoother move in for Exhibitors.
American Fixture & Display Corp. has agreed to assist by collecting this fee and remitting it to the appropriate parties.

TOWERS

*Placement
Grid Required*

FEATURES:

- 6" Canopy with 4 Halogen lights
- 3 Adjustable glass shelves
- Hinged framed door with lock
- Clear glass on 4 sides
- 80" high x 20" deep x 20" wide
- 54" glass display
- Choices
 - aluminum frame / white



TYPE	QUANTITY	ADVANCED PRICE	PRICE FOR ORDERS RECEIVED AFTER 04/17/17	SHOW SITE PRICE	TOTAL
	ALUM/WHITE				
Towers		\$360.00	\$385.00	\$535.00	

* "Mandatory" - Add \$25.00 per showcase, electrical connection fee \$ _____

SUBTOTAL \$ _____

8.15% SALES TAX \$ _____

FIRM NAME: _____ AMOUNT ENCLOSED \$ _____

ADDRESS: _____ BOOTH NO(S): _____

CITY & STATE: _____ ZIP CODE: _____

AUTHORIZED BY: _____ PHONE: _____

E-MAIL ADDRESS: _____ FAX: _____

Return Copy to: **AMERICAN FIXTURE & DISPLAY CORP.**

www.americanfixture.com

15-04 130TH STREET • COLLEGE POINT, NEW YORK 11356

PHONE (718) 463-2176 • FAX (718) 463-4302 • E-MAIL: orders@americanfixture.com

with your check, payable in U.S. funds drawn on a U.S. bank, in full payment or with the following credit card information completed, before the deadline date of: APRIL 17th, 2017.

DISCOVER, AMEX, VISA, M/C #: _____ EXP. DATE: _____

NAME ON CARD: _____ SEC. CODE: _____

SIGNATURE: _____ DATE: _____

CASES ARE RENTED FOR DISPLAY PURPOSES ONLY AND WE DO NOT WARRANT THE SAFETY OR SECURITY THEREOF. WE ARE NOT LIABLE FOR CONTENTS, DAMAGE OR BREAKAGE AFTER CASES HAVE BEEN DELIVERED.

*An electrical connection fee of \$25.00 per showcase has been negotiated by Reed Exhibitions to insure a smoother move in for Exhibitors. American Fixture & Display Corp. has agreed to assist by collecting this fee and remitting it to the appropriate parties.

"Towers"

BOUTIQUE WALL UNIT

FEATURES:



- 5" Canopy
- Lighted display area
- Glass doors with lock
- Solid Back or Glass Back
- Locking storage section
- 76" high x 13" deep x 48" wide
- 44" high glass display area
- 3 Rows Adjustable Glass Shelves



CHOICES:

- Aluminum frame/White/
Enhanced Lighting

STYLE	QUANTITY		PRICE	PRICE FOR ORDERS RECEIVED AFTER 04/17/17	SHOW SITE PRICE	TOTAL
	SOLID	GLASS				
Designer			\$460.00	\$485.00	\$635.00	

* "Mandatory" - Add \$25.00 per showcase, electrical connection fee \$ _____

SUBTOTAL \$ _____

8.15% SALES TAX \$ _____

FIRM NAME: _____ AMOUNT ENCLOSED \$ _____

ADDRESS: _____ BOOTH NO(S): _____

CITY & STATE: _____ ZIP CODE: _____

AUTHORIZED BY: _____ PHONE: _____

E-MAIL ADDRESS: _____ FAX: _____

Return Copy to: **AMERICAN FIXTURE & DISPLAY CORP.**

www.americanfixture.com

15-04 130TH STREET • COLLEGE POINT, NEW YORK 11356

PHONE (718) 463-2176 • FAX (718) 463-4302 • E-MAIL: orders@americanfixture.com

with your check, payable in U.S. funds drawn on a U.S. bank, in full payment or with the following credit card information completed, before the deadline date of: APRIL 17th, 2017.

DISCOVER, AMEX, VISA, M/C #: _____ EXP. DATE: _____

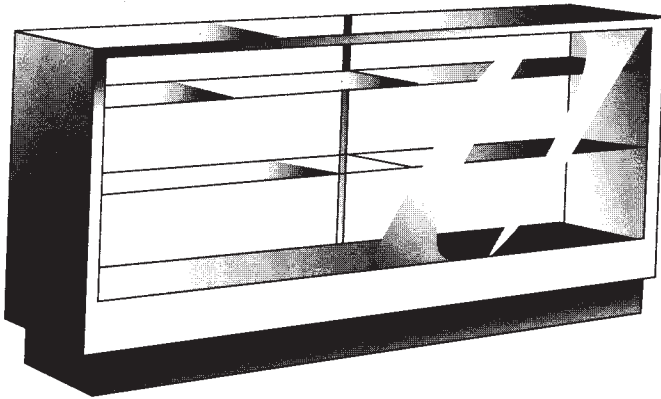
NAME ON CARD: _____ SEC. CODE: _____

SIGNATURE: _____ DATE: _____

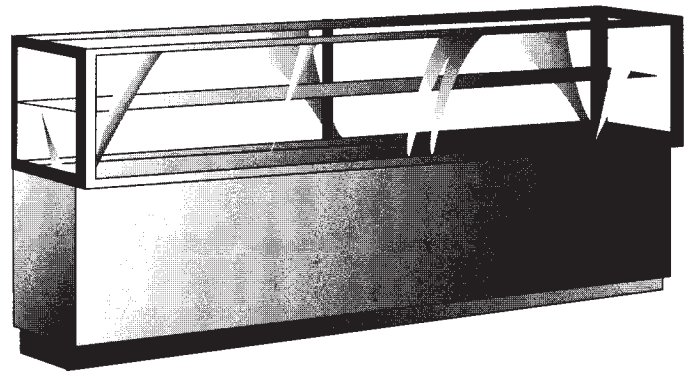
CASES ARE RENTED FOR DISPLAY PURPOSES ONLY AND WE DO NOT WARRANT THE SAFETY OR SECURITY THEREOF. WE ARE NOT LIABLE FOR CONTENTS, DAMAGE OR BREAKAGE AFTER CASES HAVE BEEN DELIVERED.

*An electrical connection fee of \$25.00 per showcase has been negotiated by Reed Exhibitions to insure a smoother move in for Exhibitors. American Fixture & Display Corp. has agreed to assist by collecting this fee and remitting it to the appropriate parties.

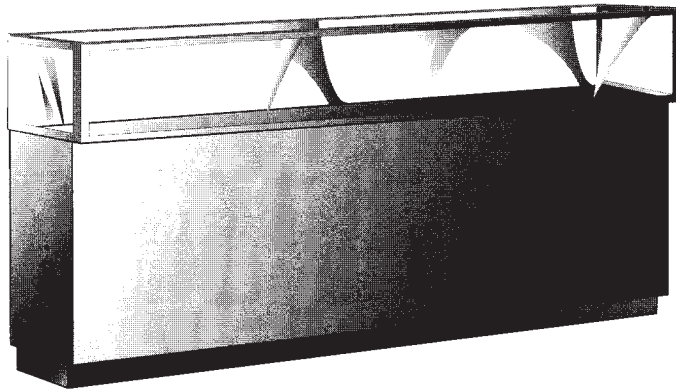
Available Styles



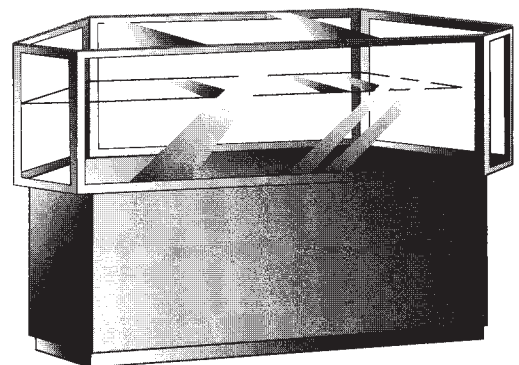
FULL VISION SHOWCASE



HALF VISION SHOWCASE



QUARTER VISION SHOWCASE



CORNER SHOWCASE

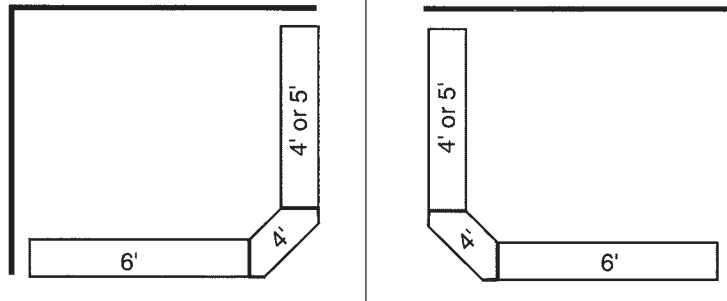
LENGTHS 4' • AVAILABLE IN HALF VISION
AND QUARTER VISION

American Fixture & Display Corp.

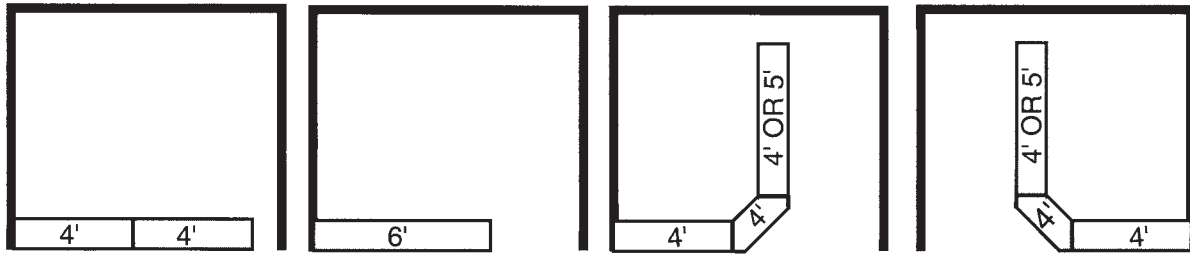
15-04 130th Street, College Point, New York 11356 • TEL: [718] 463-2176 FAX: [718] 463-4302

Sample Layouts

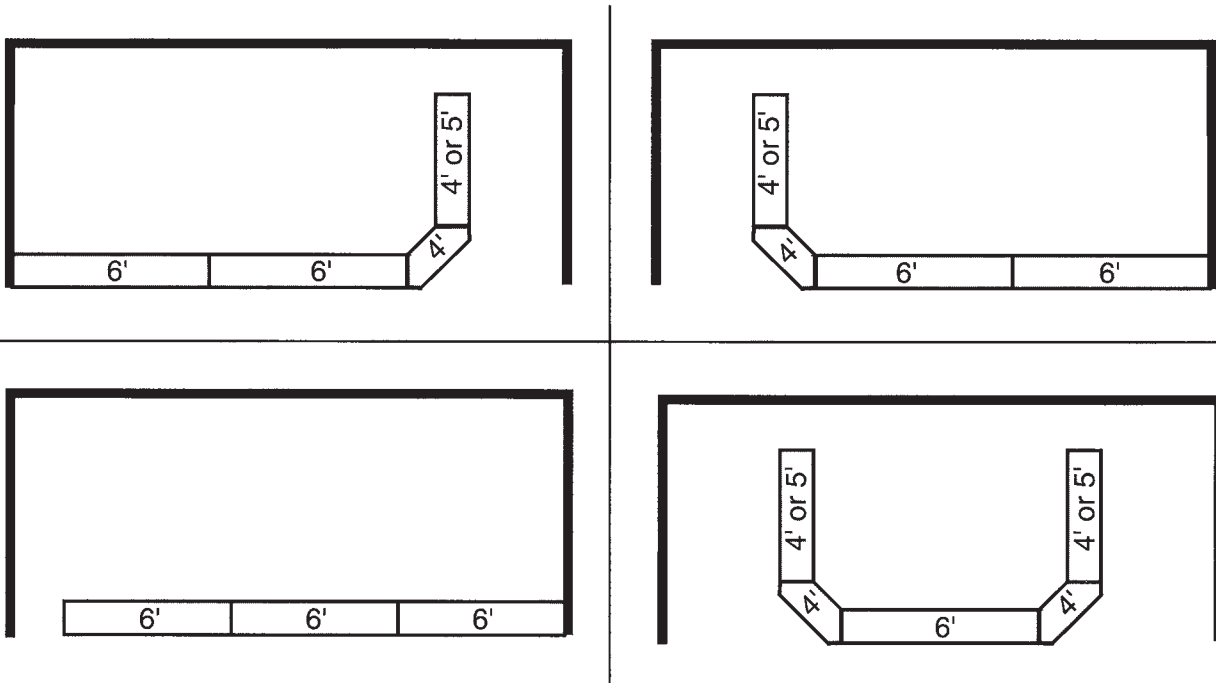
10 FOOT X 10 FOOT CORNER BOOTHS



10 FOOT X 10 FOOT SINGLE BOOTHS



10 FOOT X 20 FOOT DOUBLE BOOTHS



American Fixture & Display Corp.

ELECTRICAL INFORMATION

Non LED Lighting

Standard Case – White (Fluorescent)

4'	25 Watts
5'	30 Watts
6'	40 Watts
34" Corner	20 Watts

Designer Case - Gray (Fluorescent)

4'	25 Watts
5'	30 Watts
6'	40 Watts
34" Corner	20 Watts

Deluxe Case - Black (Fluorescent)

4'	25 Watts
5'	30 Watts
6'	40 Watts
34" Corner	20 Watts

Designer Case - Gray (Halogen)

4'	100 Watts
5'	120 Watts
6'	140 Watts
42" Corner	100 Watts

Elite Case - Etched Verdigris (Halogen)

4'	100 Watts
5'	120 Watts
6'	140 Watts
34" Corner	80 Watts

Tower (Halogen)

200 Watts

Museum Pedestals (Halogen)

300 Watts

Accent Cube White & Gray (Halogen)

150 Watts

Black & Verdigris (Halogen)

140 Watts

Boutique Case (Fluorescent)

162 Watts

Wall Case (Fluorescent)

80 Watts

See-Thru Wall Case (Fluorescent)

80 Watts

ELECTRICAL INFORMATION

LED Lighting

<u>Standard Case</u>	42 Watts
<u>Designer Case</u>	42 Watts
<u>Deluxe Case</u>	42 Watts
<u>Elite Case</u>	42 Watts
<u>Ultra Case</u>	42 Watts
<u>Classic V1,V3,V5 & V6</u>	24 Watts
<u>Tower</u>	28 Watts
<u>Museum Pedestals</u>	36 Watts
<u>Accent Cube</u>	24 Watts
<u>Boutique Case (Top Only)</u>	84 Watts
<u>Wall Case (Top Only)</u>	50 Watts
<u>See-Thru Wall Case (Top Only)</u>	50 Watts



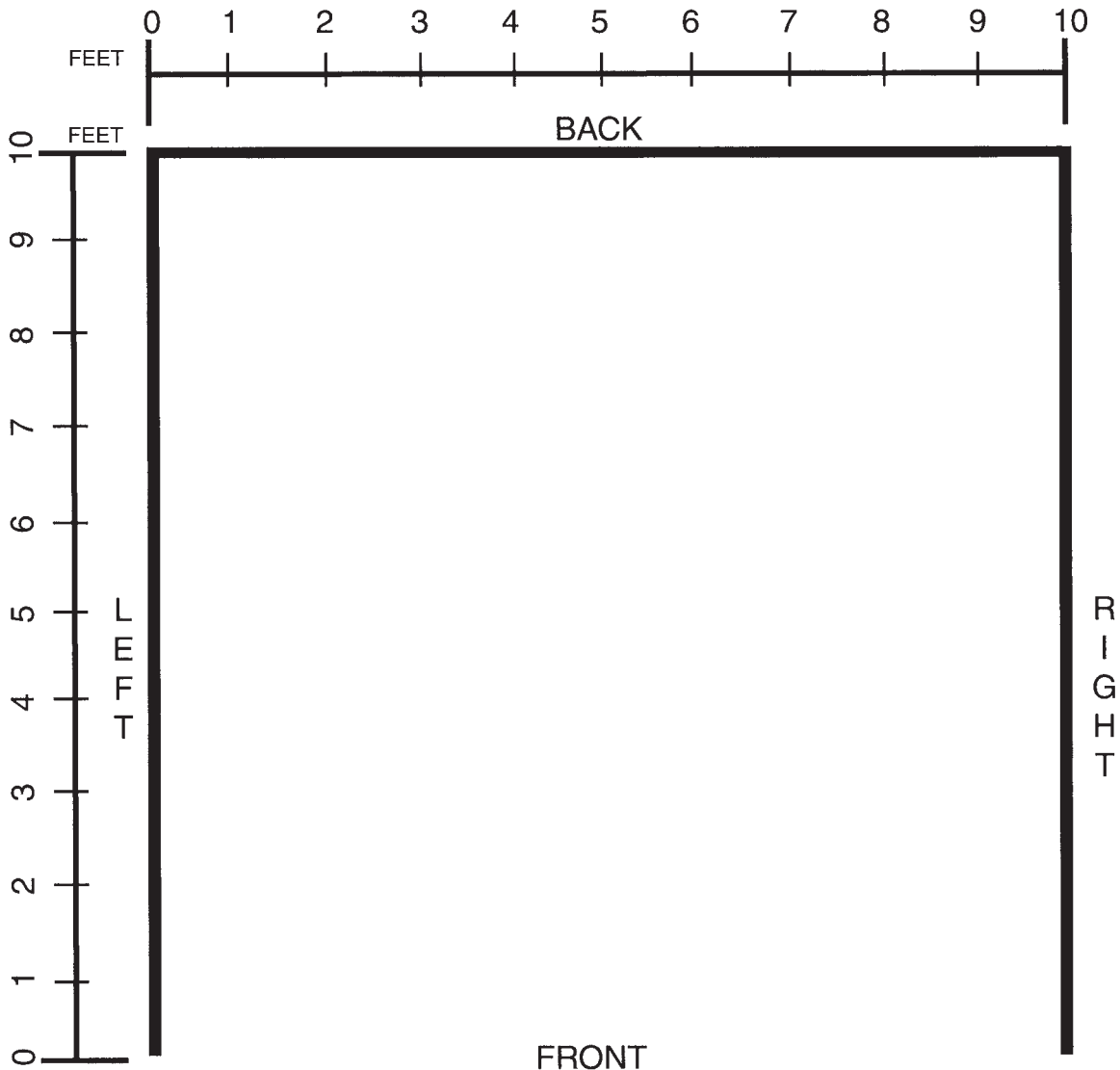
LAS VEGAS

PEARL PLAZA

* MUST BE SUBMITTED FOR ORDER TO BE PROCESSED

Showcase Placement Grid

PLEASE INDICATE BELOW THE MANNER IN WHICH YOU WANT THE SHOWCASES PLACED IN YOUR BOOTH(S) AND RETURN THIS FORM TO US WITH YOUR ORDER. IF YOU HAVE MULTIPLE BOOTHS, PLEASE CHANGE THE FOOT MARKINGS AS NECESSARY.



EXHIBITOR NAME: _____ BOOTH NO.: _____ BOOTH SIZE: _____

American Fixture & Display Corp.

15-04 130th Street, College Point, New York 11356 • TEL: [718] 463-2176 FAX: [718] 463-4302