



A UbXU Um6 Um7 cbj Ybhjcb`7 YbhYf`
June 1-4, 2018

Standard White Line

STANDARD WHITE FEATURES:

- Fluorescent lighting
- LED lighting available for an additional \$85 per showcase
- Aluminum frame
- Matte white formica exterior
- Solid sides
- Sliding doors with lock (no mirrors)
- Rear storage area with lock in half and quarter vision cases
- Available in 4', 5' and 6' lengths and corner cases
- 38" high and 20" deep
- Showcases are available in full, half and quarter vision
- Corner cases are available in half and quarter vision only



SIZE	QUANTITY			ADVANCED PRICE	PRICE FOR ORDERS RECEIVED AFTER 4/13/18	SHOW SITE PRICE	TOTAL
	FULL VISION	HALF VISION	QUARTER VISION				
4 FOOT				\$355.00	\$380.00	\$530.00	
5 FOOT				\$355.00	\$380.00	\$530.00	
6 FOOT				\$355.00	\$380.00	\$530.00	
34" CORNER	X			\$380.00	\$405.00	\$555.00	

Add \$85.00 per showcase for LED lighting \$ _____

* MANDATORY ELECTRIC FEE - Add \$25.00 per showcase \$ _____

SUBTOTAL \$ _____

8.25% SALES TAX \$ _____

AMOUNT ENCLOSED \$ _____

COMPANY NAME: _____

ADDRESS: _____ BOOTH NO(S): _____

CITY & STATE: _____ ZIP CODE: _____

AUTHORIZED BY: _____ PHONE: _____

E-MAIL ADDRESS: _____ FAX: _____

Return Copy to: **AMERICAN FIXTURE & DISPLAY CORP.**

15-04 130TH STREET • COLLEGE POINT, NEW YORK 11356

PHONE (718) 463-2176 • FAX (718) 463-4302 • E-MAIL: orders@americanfixture.com

www.americanfixture.com

Please provide the following credit card information, before the deadline date of: **APRIL 13, 2018**

DISCOVER, AMEX, VISA, M/C #: _____ EXP. DATE: _____

NAME ON CARD: _____ SEC. CODE: _____

SIGNATURE: _____ DATE: _____

Placement grid required in order to process your order. Placement grid enclosed.

Telephone orders not accepted.

CASES ARE RENTED FOR DISPLAY PURPOSES ONLY AND WE DO NOT WARRANT THE SAFETY OR SECURITY THEREOF. WE ARE NOT LIABLE FOR CONTENTS, DAMAGE OR BREAKAGE AFTER CASES HAVE BEEN DELIVERED.

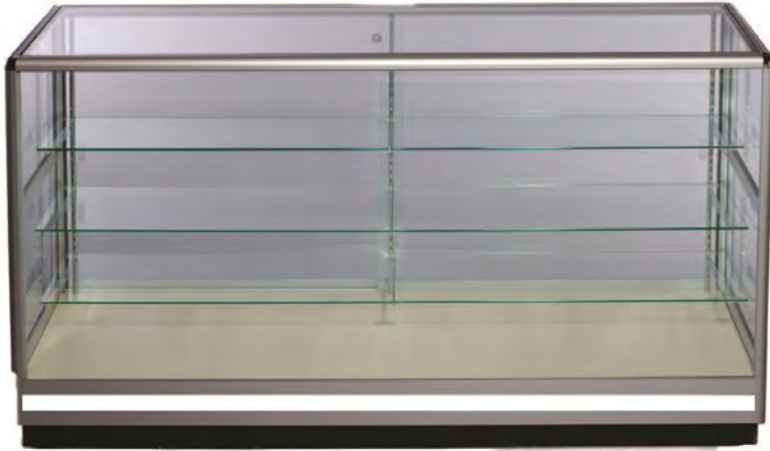
*An electrical connection fee of \$25.00 per showcase has been negotiated by Reed Exhibitions to insure a smooth move-in for exhibitors. American Fixture & Display Corp. has agreed to assist by collecting this fee and remitting it to the appropriate parties.



A UbXU'Um7 Um7 cbj Ybhjcb '7 YbhYf'
June 1-4, 2018

Ultra Line

ULTRA LINE FEATURES:



FULL VISION SHOWN HERE

- LED Lighting available in:
 - 3000K Yellow
 - 6000K White
- Aluminum frame
- Matte white exterior
- Glass sliding doors with lock
- Glass sides
- Rear storage area with lock available on half and quarter vision showcases only
- Available in 4', 5', and 6' lengths and corner cases
- 41½" high and 20" deep
- Available in full, half, and quarter vision
- Riser available to add 7" height for an additional \$60 per showcase

SIZE	QUANTITY			3000K	6000K	ADVANCED PRICE	PRICE FOR ORDERS RECEIVED AFTER 4/13/18	SHOW SITE PRICE	TOTAL
	FULL VISION	HALF VISION	QUARTER VISION						
4 FOOT						\$465.00	\$490.00	\$640.00	
5 FOOT						\$465.00	\$490.00	\$640.00	
6 FOOT						\$465.00	\$490.00	\$640.00	
34" CORNER						\$490.00	\$515.00	\$665.00	
48" CORNER						\$490.00	\$515.00	\$665.00	

Add \$60.00 per riser \$ _____

* MANDATORY ELECTRIC FEE - Add \$25.00 per showcase \$ _____

SUBTOTAL \$ _____

8.25% SALES TAX \$ _____

AMOUNT ENCLOSED \$ _____

COMPANY NAME: _____

ADDRESS: _____ BOOTH NO(S): _____

CITY & STATE: _____ ZIP CODE: _____

AUTHORIZED BY: _____ PHONE: _____

E-MAIL ADDRESS: _____ FAX: _____

Return Copy to: **AMERICAN FIXTURE & DISPLAY CORP.**
15-04 130TH STREET • COLLEGE POINT, NEW YORK 11356
PHONE (718) 463-2176 • FAX (718) 463-4302 • E-MAIL: orders@americanfixture.com

www.americanfixture.com

Please provide the following credit card information, before the deadline date of: **APRIL 13, 2018**

DISCOVER, AMEX, VISA, M/C #: _____ EXP. DATE: _____

NAME ON CARD: _____ SEC. CODE: _____

SIGNATURE: _____ DATE: _____

Placement grid required in order to process your order. Placement grid enclosed.

Telephone orders not accepted.

CASES ARE RENTED FOR DISPLAY PURPOSES ONLY AND WE DO NOT WARRANT THE SAFETY OR SECURITY THEREOF. WE ARE NOT LIABLE FOR CONTENTS, DAMAGE OR BREAKAGE AFTER CASES HAVE BEEN DELIVERED.

*An electrical connection fee of \$25.00 per showcase has been negotiated by Reed Exhibitions to insure a smooth move-in for exhibitors. American Fixture & Display Corp. has agreed to assist by collecting this fee and remitting it to the appropriate parties.



A UbXUUm6 Um7 cbj YbHcb'7 YbHff'
June 1-4, 2018

Designer Line

DESIGNER LINE FEATURES:

- Fluorescent lighting
- Halogen Lighting available for an additional \$50 per showcase
- LED Lighting available for an additional \$85 per showcase
- Aluminum frame
- Textured gray formica exterior
- Mirrored sliding doors with lock
- Glass sides
- Rear storage area with lock in half and quarter vision only
- Available in 4', 5' and 6' lengths and corner cases
- 39" high and 20" deep
- Showcases are available in full, half and quarter vision
- Corner cases are available in half and quarter vision only



SIZE	QUANTITY			ADVANCED PRICE	PRICE FOR ORDERS RECEIVED AFTER 4/13/18	SHOW SITE PRICE	TOTAL
	FULL VISION	HALF VISION	QUARTER VISION				
4 FOOT				\$380.00	\$405.00	\$555.00	
5 FOOT				\$380.00	\$405.00	\$555.00	
6 FOOT				\$380.00	\$405.00	\$555.00	
34" CORNER	<input checked="" type="checkbox"/>			\$405.00	\$430.00	\$580.00	
42" CORNER	<input checked="" type="checkbox"/>	<input checked="" type="checkbox"/>		\$430.00	\$455.00	\$605.00	

Add \$50.00 per showcase for Halogen lighting \$ _____

Add \$85.00 per showcase for LED lighting \$ _____

* MANDATORY ELECTRIC FEE - Add \$25.00 per showcase \$ _____

SUBTOTAL \$ _____

8.25% SALES TAX \$ _____

AMOUNT ENCLOSED \$ _____

COMPANY NAME: _____

ADDRESS: _____ BOOTH NO(S): _____

CITY & STATE: _____ ZIP CODE: _____

AUTHORIZED BY: _____ PHONE: _____

E-MAIL ADDRESS: _____ FAX: _____

Return Copy to: AMERICAN FIXTURE & DISPLAY CORP.

15-04 130TH STREET • COLLEGE POINT, NEW YORK 11356

PHONE (718) 463-2176 • FAX (718) 463-4302 • E-MAIL: orders@americanfixture.com

www.americanfixture.com

Please provide the following credit card information, before the deadline date of: **APRIL 13, 2018**

DISCOVER, AMEX, VISA, M/C #: _____ EXP. DATE: _____

NAME ON CARD: _____ SEC. CODE: _____

SIGNATURE: _____ DATE: _____

Placement grid required in order to process your order. Placement grid enclosed.

Telephone orders not accepted.

CASES ARE RENTED FOR DISPLAY PURPOSES ONLY AND WE DO NOT WARRANT THE SAFETY OR SECURITY THEREOF. WE ARE NOT LIABLE FOR CONTENTS, DAMAGE OR BREAKAGE AFTER CASES HAVE BEEN DELIVERED.

*An electrical connection fee of \$25.00 per showcase has been negotiated by Reed Exhibitions to insure a smooth move-in for exhibitors. American Fixture & Display Corp. has agreed to assist by collecting this fee and remitting it to the appropriate parties.



A UbXUUm6 Um7 cbj Ybhjcb'7 YbhYf'
June 1-4, 2018

Accent Cube



ACCENT CUBE FEATURES:

- Aluminum frame
- Standard matte white or textured designer gray formica exterior
- 3 fixed 50 watt lights
- LED lighting available for an additional \$45
- Hinged frameless glass door with lock
- Storage area with lock
- 18" wide x 18" deep x 70" high
- 18" wide x 18" deep x 18" high glass display area

STYLE	QUANTITY	PRICE	PRICE FOR ORDERS RECEIVED AFTER 4/13/18	SHOW SITE PRICE	TOTAL
White		\$285.00	\$310.00	\$460.00	
Designer		\$285.00	\$310.00	\$460.00	

Add \$45.00 per accent cube for LED lighting \$ _____

* MANDATORY ELECTRIC FEE - Add \$25.00 per showcase \$ _____

SUBTOTAL \$ _____

8.25% SALES TAX \$ _____

AMOUNT ENCLOSED \$ _____

COMPANY NAME: _____

ADDRESS: _____ BOOTH NO(S): _____

CITY & STATE: _____ ZIP CODE: _____

AUTHORIZED BY: _____ PHONE: _____

E-MAIL ADDRESS: _____ FAX: _____

Return Copy to: AMERICAN FIXTURE & DISPLAY CORP.

15-04 130TH STREET • COLLEGE POINT, NEW YORK 11356

PHONE (718) 463-2176 • FAX (718) 463-4302 • E-MAIL: orders@americanfixture.com

www.americanfixture.com

Please provide the following credit card information, before the deadline date of: **APRIL 13, 2018**

DISCOVER, AMEX, VISA, M/C #: _____ EXP. DATE: _____

NAME ON CARD: _____ SEC. CODE: _____

SIGNATURE: _____ DATE: _____

Placement grid required in order to process your order. Placement grid enclosed.

Telephone orders not accepted.

CASES ARE RENTED FOR DISPLAY PURPOSES ONLY AND WE DO NOT WARRANT THE SAFETY OR SECURITY THEREOF. WE ARE NOT LIABLE FOR CONTENTS, DAMAGE OR BREAKAGE AFTER CASES HAVE BEEN DELIVERED.

*An electrical connection fee of \$25.00 per showcase has been negotiated by Reed Exhibitions to insure a smooth move-in for exhibitors. American Fixture & Display Corp. has agreed to assist by collecting this fee and remitting it to the appropriate parties.



Tower



TOWER FEATURES:

- Halogen lighting
- LED lighting available for an additional \$45 per tower
- Aluminum Frame
- Standard matte white or textured designer gray formica exterior
- 6" canopy
- 3 adjustable glass shelves
- Clear glass on four sides
- Hinged framed door with lock
- 20" wide x 20" deep x 80" high
- 20" wide x 20" deep x 54" high glass display area

TYPE	QUANTITY		ADVANCED PRICE	PRICE FOR ORDERS RECEIVED AFTER 4/13/18	SHOW SITE PRICE	TOTAL
	WHITE	DESIGNER				
Towers			\$360.00	\$385.00	\$535.00	

Add \$45.00 per tower for LED lighting \$ _____

* MANDATORY ELECTRIC FEE - Add \$25.00 per showcase \$ _____

SUBTOTAL \$ _____

8.25% SALES TAX \$ _____

AMOUNT ENCLOSED \$ _____

COMPANY NAME: _____

ADDRESS: _____ BOOTH NO(S): _____

CITY & STATE: _____ ZIP CODE: _____

AUTHORIZED BY: _____ PHONE: _____

E-MAIL ADDRESS: _____ FAX: _____

Return Copy to: AMERICAN FIXTURE & DISPLAY CORP.

15-04 130TH STREET • COLLEGE POINT, NEW YORK 11356

PHONE (718) 463-2176 • FAX (718) 463-4302 • E-MAIL: orders@americanfixture.com

www.americanfixture.com

Please provide the following credit card information, before the deadline date of: **APRIL 13, 2018**

DISCOVER, AMEX, VISA, M/C #: _____ EXP. DATE: _____

NAME ON CARD: _____ SEC. CODE: _____

SIGNATURE: _____ DATE: _____

Placement grid required in order to process your order. Placement grid enclosed.

Telephone orders not accepted.

CASES ARE RENTED FOR DISPLAY PURPOSES ONLY AND WE DO NOT WARRANT THE SAFETY OR SECURITY THEREOF. WE ARE NOT LIABLE FOR CONTENTS, DAMAGE OR BREAKAGE AFTER CASES HAVE BEEN DELIVERED.

*An electrical connection fee of \$25.00 per showcase has been negotiated by Reed Exhibitions to insure a smooth move-in for exhibitors. American Fixture & Display Corp. has agreed to assist by collecting this fee and remitting it to the appropriate parties.



A UbXUUm6 Um7 cbj Ybljcb '7 YblYf'
June 1-4, 2018

Museum Pedestal



MUSEUM PEDESTAL FEATURES:

- Halogen lighting (six bulbs)
- LED lighting available for an additional \$60 per museum pedestal
- Aluminum frame
- Standard matte white formica exterior
- 8" canopy
- Glass doors with lock
- Storage area with lock
- 30" wide x 20" deep x 70" high
- 30" wide x 20" deep x 20" high glass display area

STYLE	QUANTITY	PRICE	PRICE FOR ORDERS RECEIVED AFTER 4/13/18	SHOW SITE PRICE	TOTAL
WHITE		\$415.00	\$440.00	\$590.00	

Add \$60.00 per museum pedestal for LED lighting \$ _____

* MANDATORY ELECTRIC FEE - Add \$25.00 per showcase \$ _____

SUBTOTAL \$ _____

8.25% SALES TAX \$ _____

AMOUNT ENCLOSED \$ _____

COMPANY NAME: _____

ADDRESS: _____ BOOTH NO(S): _____

CITY & STATE: _____ ZIP CODE: _____

AUTHORIZED BY: _____ PHONE: _____

E-MAIL ADDRESS: _____ FAX: _____

Return Copy to: AMERICAN FIXTURE & DISPLAY CORP.

15-04 130TH STREET • COLLEGE POINT, NEW YORK 11356

PHONE (718) 463-2176 • FAX (718) 463-4302 • E-MAIL: orders@americanfixture.com

www.americanfixture.com

Please provide the following credit card information, before the deadline date of: **APRIL 13, 2018**

DISCOVER, AMEX, VISA, M/C #: _____ EXP. DATE: _____

NAME ON CARD: _____ SEC. CODE: _____

SIGNATURE: _____ DATE: _____

Placement grid required in order to process your order. Placement grid enclosed.

Telephone orders not accepted.

CASES ARE RENTED FOR DISPLAY PURPOSES ONLY AND WE DO NOT WARRANT THE SAFETY OR SECURITY THEREOF. WE ARE NOT LIABLE FOR CONTENTS, DAMAGE OR BREAKAGE AFTER CASES HAVE BEEN DELIVERED.

*An electrical connection fee of \$25.00 per showcase has been negotiated by Reed Exhibitions to insure a smooth move-in for exhibitors. American Fixture & Display Corp. has agreed to assist by collecting this fee and remitting it to the appropriate parties.



A UbXUUm6 Um7 cbj Ybljcb 7 YbhYf
June 1-4, 2018

Boutique Case



FEATURES:

- Fluorescent lighting
- LED lighting available for an additional \$60 per boutique case
- Aluminum frame
- Textured designer gray formica exterior
- 5" canopy
- Solid back or glass back
- 3 rows of adjustable glass shelves
- Glass doors with lock
- Storage area with lock
- 48" wide x 13" deep x 76" high
- 48" wide x 13" deep x 44" high glass display area

STYLE	QUANTITY		PRICE	PRICE FOR ORDERS RECEIVED AFTER 4/13/18	SHOW SITE PRICE	TOTAL
	SOLID	GLASS				
DESIGNER			\$460.00	\$485.00	\$635.00	

Add \$60.00 per boutique case for LED lighting \$ _____

* MANDATORY ELECTRIC FEE - Add \$25.00 per showcase \$ _____

SUBTOTAL \$ _____

8.25% SALES TAX \$ _____

AMOUNT ENCLOSED \$ _____

COMPANY NAME: _____

ADDRESS: _____ BOOTH NO(S): _____

CITY & STATE: _____ ZIP CODE: _____

AUTHORIZED BY: _____ PHONE: _____

E-MAIL ADDRESS: _____ FAX: _____

Return Copy to: **AMERICAN FIXTURE & DISPLAY CORP.**

15-04 130TH STREET • COLLEGE POINT, NEW YORK 11356

PHONE (718) 463-2176 • FAX (718) 463-4302 • E-MAIL: orders@americanfixture.com

www.americanfixture.com

Please provide the following credit card information, before the deadline date of: **APRIL 13, 2018**

DISCOVER, AMEX, VISA, M/C #: _____ EXP. DATE: _____

NAME ON CARD: _____ SEC. CODE: _____

SIGNATURE: _____ DATE: _____

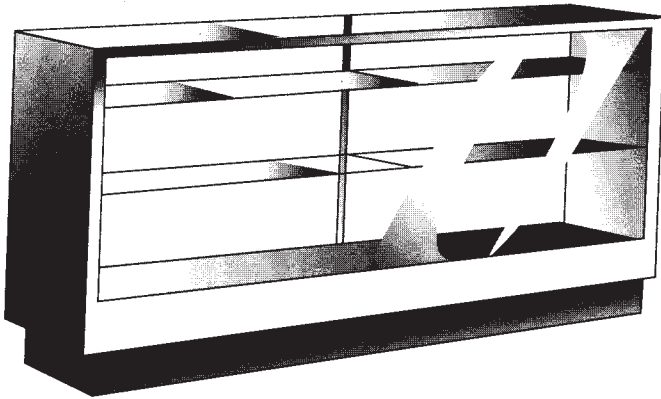
Placement grid required in order to process your order. Placement grid enclosed.

Telephone orders not accepted.

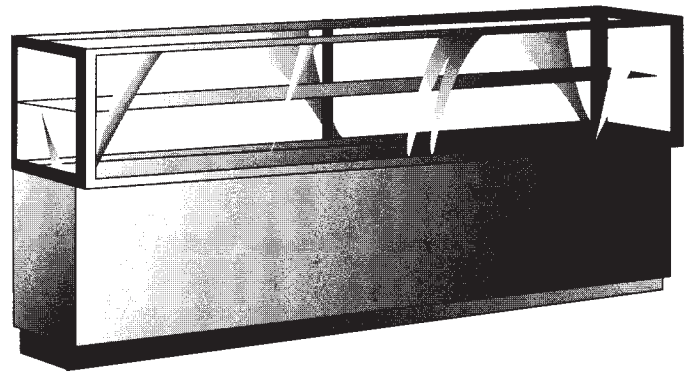
CASES ARE RENTED FOR DISPLAY PURPOSES ONLY AND WE DO NOT WARRANT THE SAFETY OR SECURITY THEREOF. WE ARE NOT LIABLE FOR CONTENTS, DAMAGE OR BREAKAGE AFTER CASES HAVE BEEN DELIVERED.

*An electrical connection fee of \$25.00 per showcase has been negotiated by Reed Exhibitions to insure a smooth move-in for exhibitors. American Fixture & Display Corp. has agreed to assist by collecting this fee and remitting it to the appropriate parties.

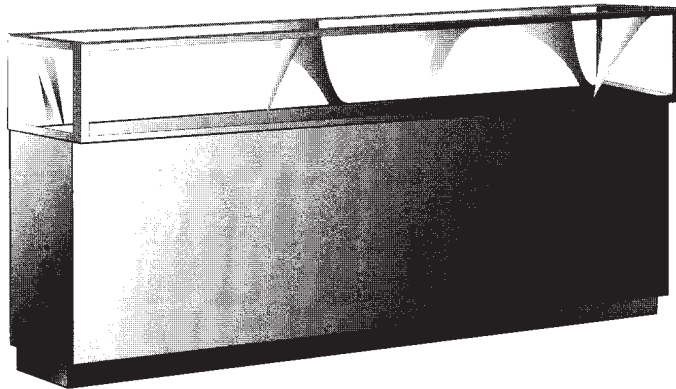
Available Styles



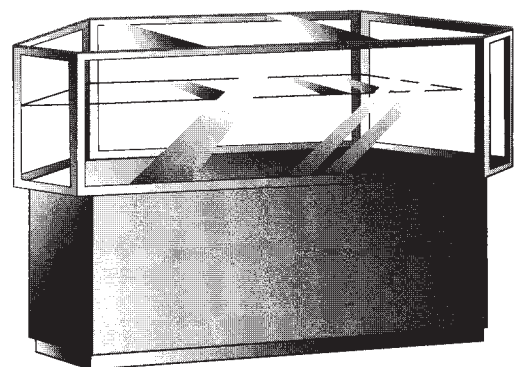
FULL VISION SHOWCASE



HALF VISION SHOWCASE



QUARTER VISION SHOWCASE



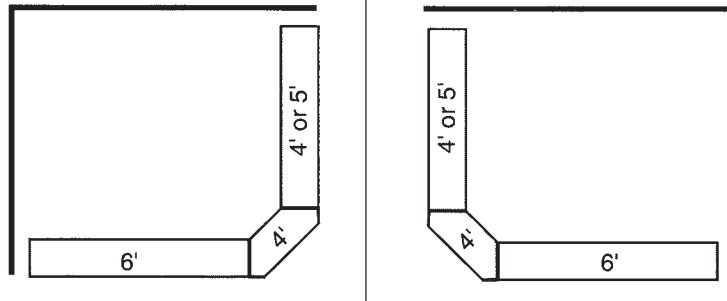
CORNER SHOWCASE

American Fixture & Display Corp.

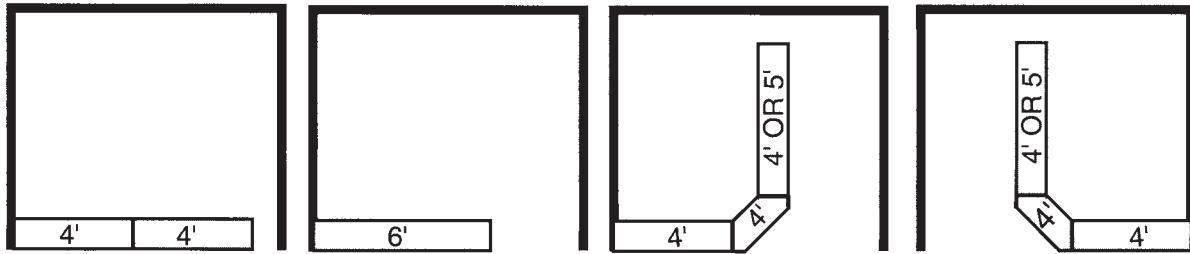
15-04 130th Street, College Point, New York 11356 • TEL: [718] 463-2176 FAX: [718] 463-4302

Sample Layouts

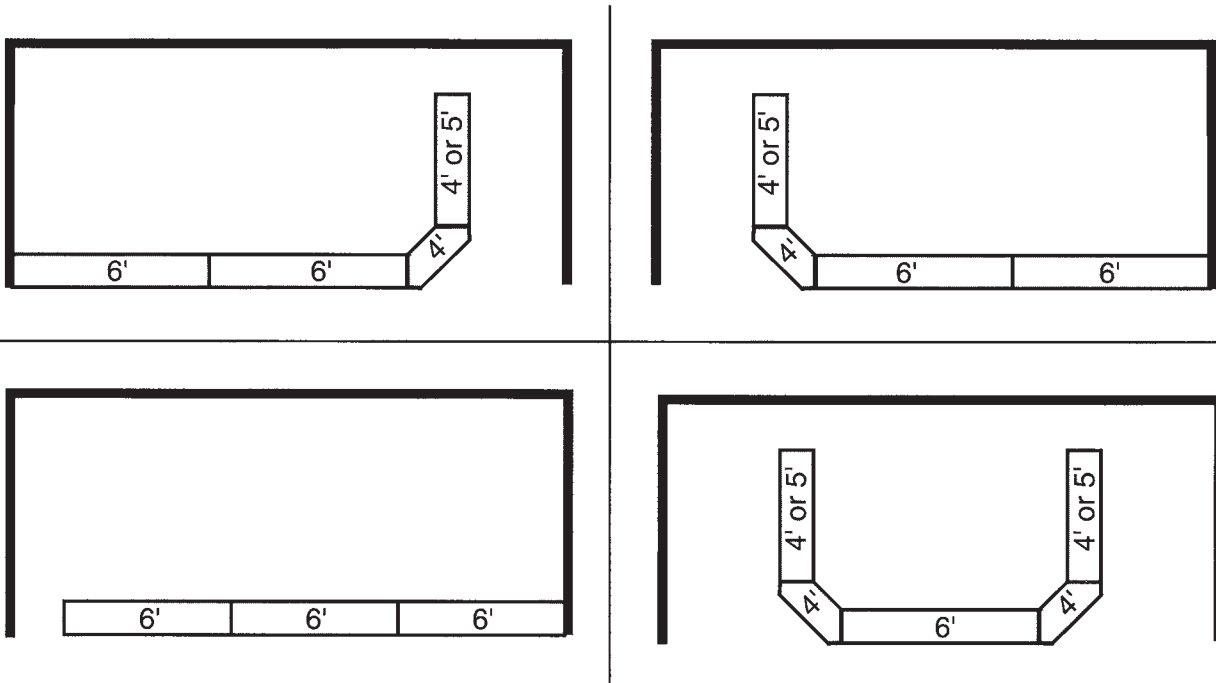
10 FOOT X 10 FOOT CORNER BOOTHS



10 FOOT X 10 FOOT SINGLE BOOTHS



10 FOOT X 20 FOOT DOUBLE BOOTHS



American Fixture & Display Corp.

ELECTRICAL INFORMATION

Non LED Lighting

Standard Case – White (Fluorescent)

4'	25 Watts
5'	30 Watts
6'	40 Watts
34" Corner	20 Watts

Designer Case - Gray (Fluorescent)

4'	25 Watts
5'	30 Watts
6'	40 Watts
34" Corner	20 Watts

Designer Case - Gray (Halogen)

4'	100 Watts
5'	120 Watts
6'	140 Watts
42" Corner	100 Watts

Accent Cube (Halogen)

150 Watts

Tower (Halogen)

200 Watts

Museum Pedestals (Halogen)

300 Watts

Boutique Case (Fluorescent)

162 Watts

ELECTRICAL INFORMATION

LED Lighting

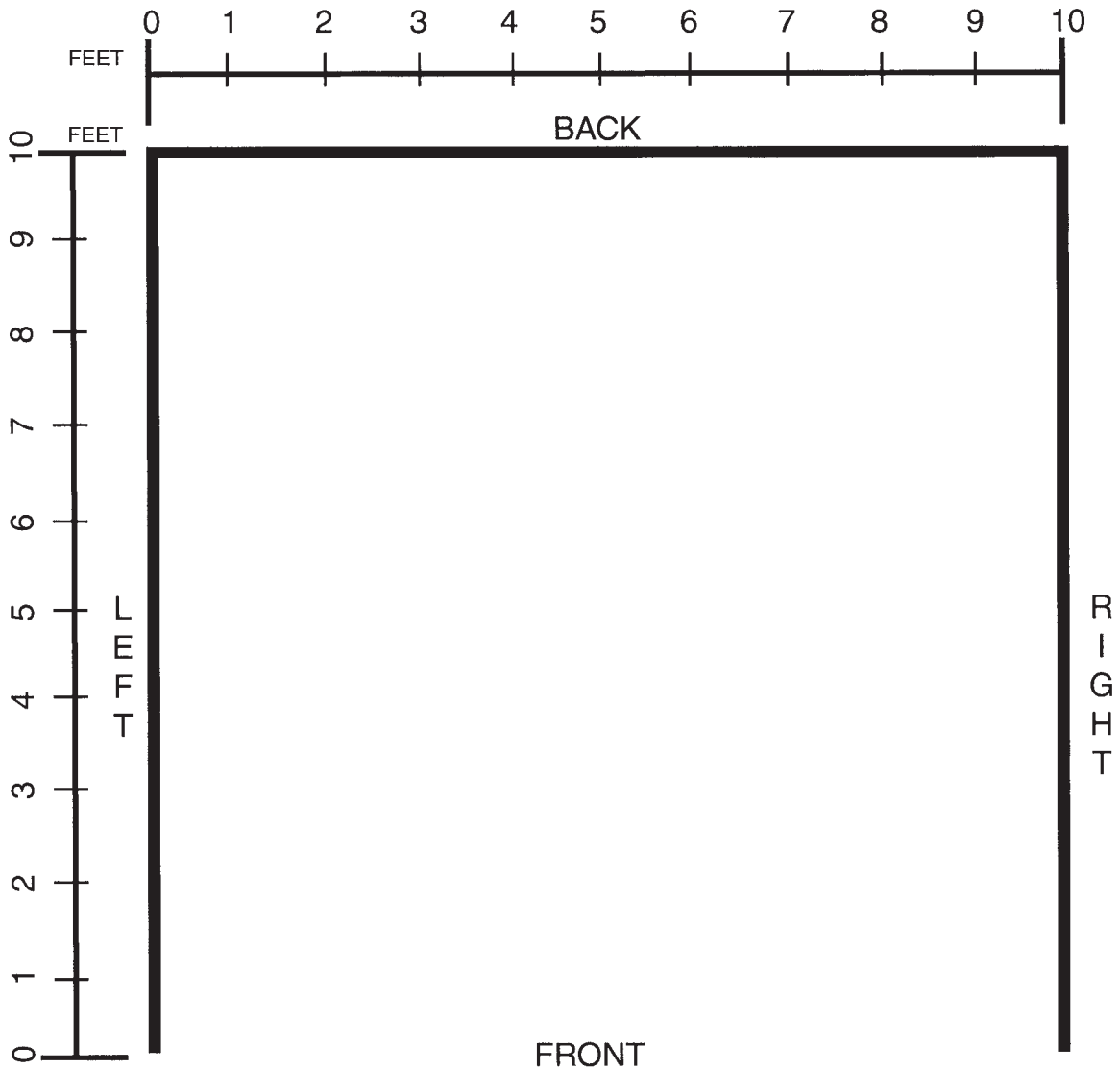
<u>Standard Case</u>	42 Watts
<u>Ultra Case</u>	42 Watts
<u>Designer Case</u>	42 Watts
<u>Accent Cube</u>	24 Watts
<u>Tower</u>	28 Watts
<u>Museum Pedestals</u>	36 Watts
<u>Boutique Case (Top Only)</u>	84 Watts



MUST BE SUBMITTED FOR ORDER TO BE PROCESSED

Showcase Placement Grid

PLEASE INDICATE BELOW THE MANNER IN WHICH YOU WANT THE SHOWCASES PLACED IN YOUR BOOTH(S) AND RETURN THIS FORM TO US WITH YOUR ORDER. IF YOU HAVE MULTIPLE BOOTHS, PLEASE CHANGE THE FOOT MARKINGS AS NECESSARY.



EXHIBITOR NAME: _____ BOOTH NO.: _____ BOOTH SIZE: _____

American Fixture & Display Corp.