

# Ultra Line



FULL VISION SHOWN HERE

**ULTRA LINE FEATURES:**

- LED lighting available in:
  - 3000K Yellow
  - 6000K White
- Aluminum frame
- Matte black exterior
- Glass sliding doors with lock
- Glass sides
- Rear storage area with lock available on half and quarter vision showcases only
- Available in 4', 5', and 6' lengths and corner cases
- Available in full, half, and quarter vision
- 41½" high and 20" deep (48" corner is 27 ½" deep)

SIZE	QUANTITY			3000K	6000K	ADVANCED PRICE	PRICE FOR ORDERS RECEIVED AFTER 04/22/2022	SHOW SITE PRICE	TOTAL
	FULL VISION	HALF VISION	QUARTER VISION						
4 FOOT						\$500.00	\$575.00	\$700.00	
5 FOOT						\$500.00	\$575.00	\$700.00	
6 FOOT						\$500.00	\$575.00	\$700.00	
34" CORNER						\$525.00	\$600.00	\$725.00	
48" CORNER						\$545.00	\$620.00	\$745.00	

\* MANDATORY ELECTRIC FEE - Add \$25.00 per showcase \$ \_\_\_\_\_

SUBTOTAL \$ \_\_\_\_\_

8.375% SALES TAX \$ \_\_\_\_\_

TOTAL DUE \$ \_\_\_\_\_

COMPANY NAME \_\_\_\_\_

BOOTH NUMBER \_\_\_\_\_

**ONLINE ORDERING AVAILABLE**  
VISIT [AMERICANFIXTURE.COM](http://AMERICANFIXTURE.COM)

**ORDERS AND BOOTH LAYOUT DUE BY APRIL 22, 2022**

**American Fixture & Display Corp.**

Phone: (718) 463-2176 • Fax: (718) 463-4302

Email: [orders@americanfixture.com](mailto:orders@americanfixture.com) • Web: [americanfixture.com](http://americanfixture.com)

Please complete company name, credit card information and booth layout located on the final pages. This is required to process your order.

© 2022 American Fixture & Display Corp. All rights reserved. This document is the property of American Fixture & Display Corp. and is to be used for informational purposes only. It is not to be reproduced, distributed, or used in any way without the prior written permission of American Fixture & Display Corp. The information contained herein is subject to change without notice. American Fixture & Display Corp. is not responsible for any errors or omissions in this document. American Fixture & Display Corp. is not liable for any damages, including consequential, special, or punitive damages, arising from the use of this document. American Fixture & Display Corp. is not liable for any loss of data or information, or any other damages, arising from the use of this document. American Fixture & Display Corp. is not liable for any damages, including consequential, special, or punitive damages, arising from the use of this document. American Fixture & Display Corp. is not liable for any loss of data or information, or any other damages, arising from the use of this document.

CASES ARE RENTED FOR DISPLAY PURPOSES ONLY AND WE DO NOT WARRANT THE SAFETY OR SECURITY THEREOF. WE ARE NOT LIABLE FOR CONTENTS, DAMAGE OR BREAKAGE AFTER CASES HAVE BEEN DELIVERED.

# Accent Cube



**ACCENT CUBE FEATURES:**

- LED lighting
- Aluminum frame
- Black exterior
- 18" wide x 18" deep x 70" high
- 18" wide x 18" deep x 18" high glass display area
- Hinged frameless glass door with lock
- Storage area with lock

QUANTITY	PRICE	PRICE FOR ORDERS RECEIVED AFTER 04/29/2022	SHOW SITE PRICE	TOTAL
	\$435.00	\$510.00	\$635.00	

\* MANDATORY ELECTRIC FEE - Add \$25.00 per showcase \$ \_\_\_\_\_

SUBTOTAL \$ \_\_\_\_\_

8.375% SALES TAX \$ \_\_\_\_\_

TOTAL DUE \$ \_\_\_\_\_

COMPANY NAME \_\_\_\_\_

BOOTH NUMBER \_\_\_\_\_

ONLINE ORDERING  
 AVAILABLE  
 VISIT AMERICANFIXTURE.COM

**ORDERS AND BOOTH LAYOUT DUE BY APRIL 29, 2022**

**American Fixture & Display Corp.**

Phone: (718) 463-2176 • Fax: (718) 463-4302

Email: orders@americanfixture.com • Web: americanfixture.com

Please complete company name, credit card information and booth layout located on the final pages. This is required to process your order.

ECC A | ^ & d a e p A [ ] } ^ & c j } A ^ A A A C I E E A ^ A @ . & e e ^ A @ e A ^ A } A ^ \* [ c a e e a A A ^ A A O e Q e a j } . A / A ^ . ^ A A { [ [ c Q [ c ^ E A A A e Q e a j ] . E C I E ^ i a e e A D e r c ^ A B A O e ] j e s A O [ ! ] E C e A e i ^ A A q A e . a c h ^ A [ ^ & c j \* A @ A ^ A e a A ^ { a c j \* A e A A @ A e j ] [ ] i a e A e d e e . E U ^ e e ^ A [ e A A ^ A ] @ ) ^ A i a ^ . A [ c a e e A ] e a E A

CASES ARE RENTED FOR DISPLAY PURPOSES ONLY AND WE DO NOT WARRANT THE SAFETY OR SECURITY THEREOF. WE ARE NOT LIABLE FOR CONTENTS, DAMAGE OR BREAKAGE AFTER CASES HAVE BEEN DELIVERED.

# Tower



**TOWER FEATURES:**

- LED lighting
- Aluminum frame
- Black exterior
- 6" canopy
- 3 adjustable glass shelves
- Clear glass on four sides
- Hinged framed door with lock
- 20" wide x 20" deep x 80" high
- 20" wide x 20" deep x 54" high glass display area

QUANTITY	PRICE	PRICE FOR ORDERS RECEIVED AFTER 04/29/2022	SHOW SITE PRICE	TOTAL
	\$445.00	\$520.00	\$645.00	

\* MANDATORY ELECTRIC FEE - Add \$25.00 per showcase \$ \_\_\_\_\_

SUBTOTAL \$ \_\_\_\_\_

8.375% SALES TAX \$ \_\_\_\_\_

TOTAL DUE \$ \_\_\_\_\_

COMPANY NAME \_\_\_\_\_

BOOTH NUMBER \_\_\_\_\_



**ORDERS AND BOOTH LAYOUT DUE BY APRIL 29, 2022**

**American Fixture & Display Corp.**

Phone: (718) 463-2176 • Fax: (718) 463-4302

Email: [orders@americanfixture.com](mailto:orders@americanfixture.com) • Web: [americanfixture.com](http://americanfixture.com)

*Please complete company name, credit card information and booth layout located on the final pages. This is required to process your order.*

© 2022 American Fixture & Display Corp. All rights reserved. This document is the property of American Fixture & Display Corp. and is not to be distributed, copied, or reproduced in any form without the prior written consent of American Fixture & Display Corp. The information contained herein is for informational purposes only and does not constitute an offer or a contract. American Fixture & Display Corp. is not responsible for any errors or omissions in this document. American Fixture & Display Corp. is not liable for any damages, including consequential damages, arising from the use of this document. American Fixture & Display Corp. is not liable for any loss of data or information. American Fixture & Display Corp. is not liable for any loss of profits or business. American Fixture & Display Corp. is not liable for any loss of opportunity. American Fixture & Display Corp. is not liable for any loss of reputation. American Fixture & Display Corp. is not liable for any loss of goodwill. American Fixture & Display Corp. is not liable for any loss of time. American Fixture & Display Corp. is not liable for any loss of income. American Fixture & Display Corp. is not liable for any loss of interest. American Fixture & Display Corp. is not liable for any loss of enjoyment. American Fixture & Display Corp. is not liable for any loss of peace of mind. American Fixture & Display Corp. is not liable for any loss of sleep. American Fixture & Display Corp. is not liable for any loss of health. American Fixture & Display Corp. is not liable for any loss of life. American Fixture & Display Corp. is not liable for any loss of anything. American Fixture & Display Corp. is not liable for anything.

CASES ARE RENTED FOR DISPLAY PURPOSES ONLY AND WE DO NOT WARRANT THE SAFETY OR SECURITY THEREOF. WE ARE NOT LIABLE FOR CONTENTS, DAMAGE OR BREAKAGE AFTER CASES HAVE BEEN DELIVERED.

# Museum Pedestal



**MUSEUM PEDESTAL FEATURES:**

- LED lighting
- Aluminum Frame
- Black exterior
- 8" canopy
- Glass doors with lock
- Storage area with lock
- 30" wide x 20" deep x 70" high
- 30" wide x 20" deep x 20" high glass display area

QUANTITY	PRICE	PRICE FOR ORDERS RECEIVED AFTER 04/29/2022	SHOW SITE PRICE	TOTAL
	\$505.00	\$580.00	\$705.00	

\* MANDATORY ELECTRIC FEE - Add \$25.00 per showcase \$ \_\_\_\_\_

SUBTOTAL \$ \_\_\_\_\_

8.375% SALES TAX \$ \_\_\_\_\_

TOTAL DUE \$ \_\_\_\_\_

COMPANY NAME \_\_\_\_\_

BOOTH NUMBER \_\_\_\_\_



**ORDERS AND BOOTH LAYOUT DUE BY APRIL 29, 2022**

**American Fixture & Display Corp.**

Phone: (718) 463-2176 • Fax: (718) 463-4302

Email: [orders@americanfixture.com](mailto:orders@americanfixture.com) • Web: [americanfixture.com](http://americanfixture.com)

*Please complete company name, credit card information and booth layout located on the final pages. This is required to process your order.*

© 2022 American Fixture & Display Corp. All rights reserved. This document is the property of American Fixture & Display Corp. and is not to be distributed, copied, or reproduced in any form without the prior written consent of American Fixture & Display Corp. The information contained herein is for informational purposes only and does not constitute an offer or any other financial product or service. American Fixture & Display Corp. is not responsible for any errors or omissions in this document. American Fixture & Display Corp. is not liable for any damages, including consequential damages, arising from the use of this document. American Fixture & Display Corp. is not liable for any damages, including consequential damages, arising from the use of this document.

**CASES ARE RENTED FOR DISPLAY PURPOSES ONLY AND WE DO NOT WARRANT THE SAFETY OR SECURITY THEREOF. WE ARE NOT LIABLE FOR CONTENTS, DAMAGE OR BREAKAGE AFTER CASES HAVE BEEN DELIVERED.**

# Boutique Case



GLASS BACK SHOWN HERE

**BOUTIQUE CASE FEATURES:**

- LED lighting
- Aluminum Frame
- Black exterior
- 5" canopy
- Solid back or glass back
- 3 rows of adjustable glass shelves
- Glass doors with lock
- Storage area with lock
- 48" wide x 13" deep x 76" high
- 48" wide x 13" deep x 44" high glass display area

QUANTITY		PRICE	PRICE FOR ORDERS RECEIVED AFTER 04/29/2022	SHOW SITE PRICE	TOTAL
SOLID	GLASS				
		\$535.00	\$610.00	\$735.00	

\* MANDATORY ELECTRIC FEE - Add \$25.00 per showcase \$ \_\_\_\_\_

SUBTOTAL \$ \_\_\_\_\_

8.375% SALES TAX \$ \_\_\_\_\_

TOTAL DUE \$ \_\_\_\_\_

COMPANY NAME \_\_\_\_\_

BOOTH NUMBER \_\_\_\_\_



**ORDERS AND BOOTH LAYOUT DUE BY APRIL 29, 2022**

**American Fixture & Display Corp.**

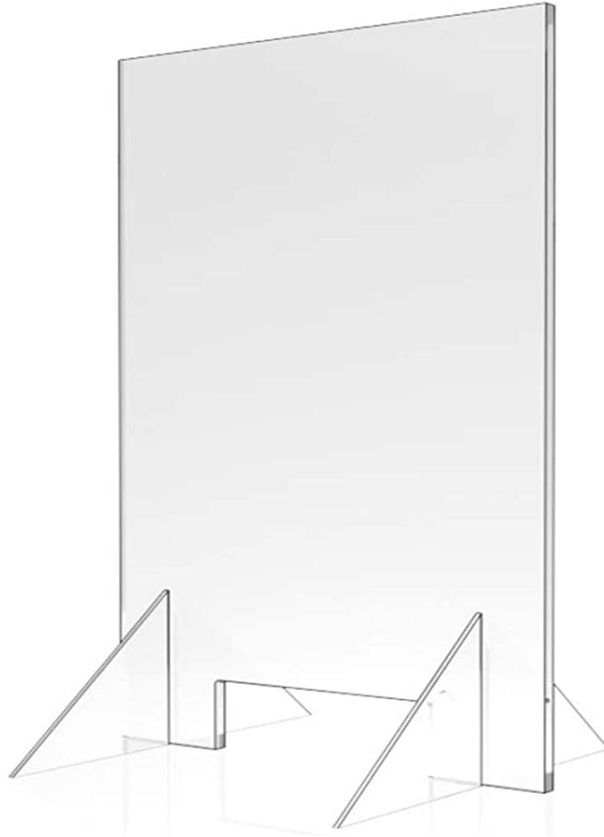
Phone: (718) 463-2176 • Fax: (718) 463-4302

Email: orders@americanfixture.com • Web: americanfixture.com

Please complete company name, credit card information and booth layout located on the final pages. This is required to process your order.

© 2022 American Fixture & Display Corp. All rights reserved. American Fixture & Display Corp. is not responsible for any damage or breakage to cases after delivery. Cases are rented for display purposes only and we do not warrant the safety or security thereof. We are not liable for contents, damage or breakage after cases have been delivered.

CASES ARE RENTED FOR DISPLAY PURPOSES ONLY AND WE DO NOT WARRANT THE SAFETY OR SECURITY THEREOF. WE ARE NOT LIABLE FOR CONTENTS, DAMAGE OR BREAKAGE AFTER CASES HAVE BEEN DELIVERED.

**SNEEZE GUARD**

*Perfect for  
placement on  
your showcase  
or table top*

**FEATURES:**

- 24" Wide x 30" High
- Pass Through By 4" High X 12" Wide

QUANTITY	ADVANCED PRICE	PRICE FOR ORDERS RECEIVED AFTER 04/29/22	TOTAL
	\$95.00	\$115.00	

SUBTOTAL \$ \_\_\_\_\_

8.375 % SALES TAX \$ \_\_\_\_\_

TOTAL DUE \$ \_\_\_\_\_

COMPANY NAME \_\_\_\_\_

BOOTH NUMBER \_\_\_\_\_

**ORDERS AND BOOTH LAYOUT DUE BY APRIL 29, 2022****American Fixture & Display Corp.**

Phone: (718) 463-2176 • Fax: (718) 463-4302

Email: [orders@americanfixture.com](mailto:orders@americanfixture.com) • Web: [americanfixture.com](http://americanfixture.com)

If this product is not returned at the end of the event, you will automatically be charged \$150.00

*Please complete company name, credit card information and booth layout located on the final pages. This is required to process your order.*

# Available Styles



**FULL VISION SHOWCASE**



**HALF VISION SHOWCASE**



**QUARTER VISION SHOWCASE**



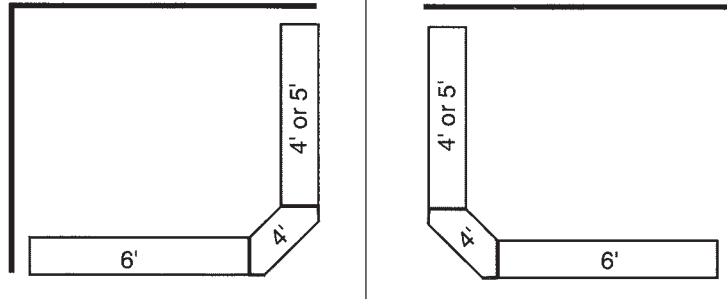
**CORNER SHOWCASE**

*Please complete company name, credit card information and booth layout located on the final pages. This is required to process your order.*

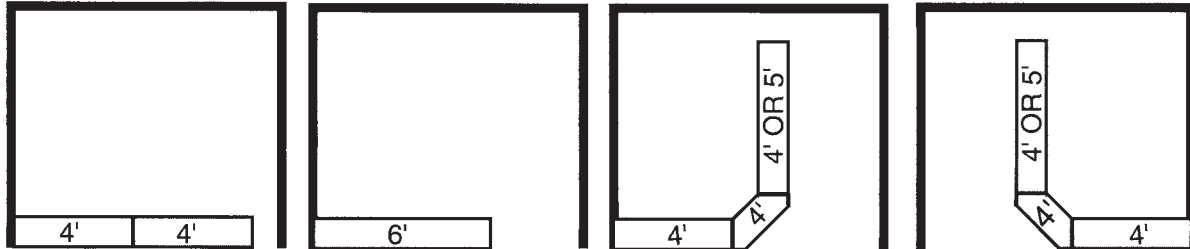
CASES ARE RENTED FOR DISPLAY PURPOSES ONLY AND WE DO NOT WARRANT THE SAFETY OR SECURITY THEREOF. WE ARE NOT LIABLE FOR CONTENTS, DAMAGE OR BREAKAGE AFTER CASES HAVE BEEN DELIVERED.

# Sample Layouts

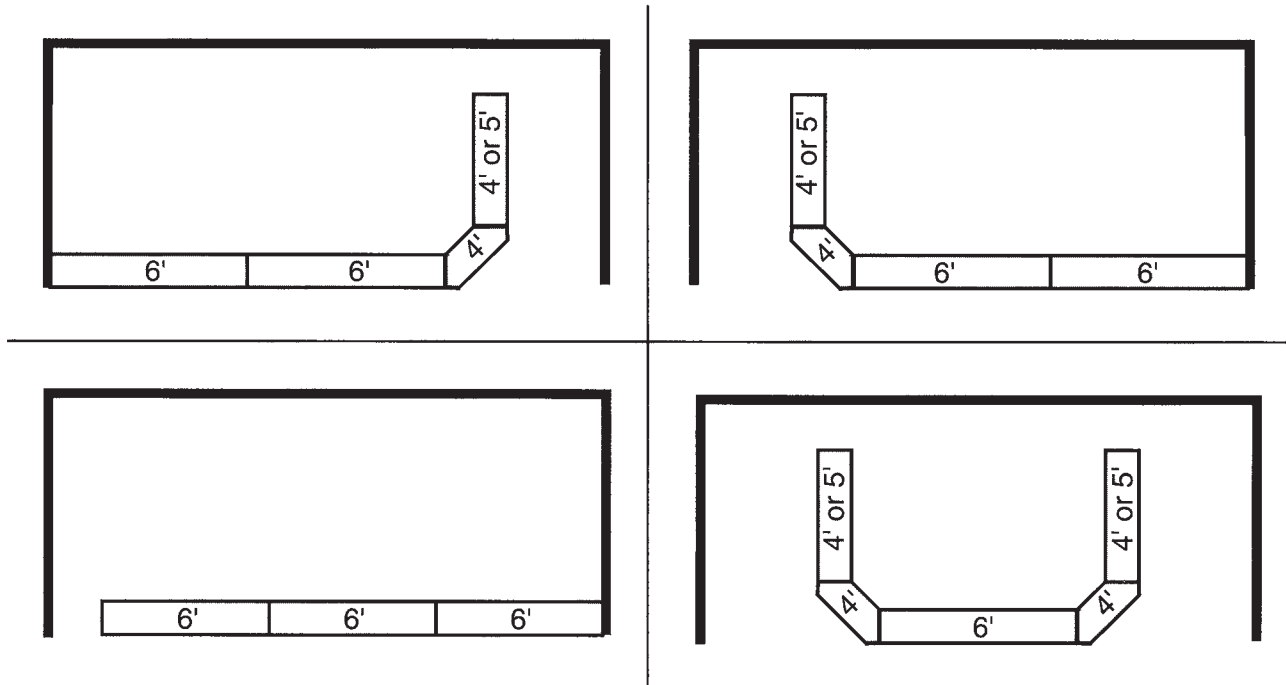
## 10 FOOT X 10 FOOT CORNER BOOTHS



## 10 FOOT X 10 FOOT SINGLE BOOTHS



## 10 FOOT X 20 FOOT DOUBLE BOOTHS



Please complete company name, credit card information and booth layout located on the final pages. This is required to process your order.



**Ultra Case – 6000K**

4'	42 Watts
5'	48 Watts
6'	54 Watts
34" Corner	36 Watts
48" Corner	90 Watts

**Ultra Case – 3000K**

4'	12 Watts
5'	15 Watts
6'	17 Watts
34" Corner	9 Watts
48" Corner	16 Watts

**Accent Cube**

24 Watts

**Tower**

100 Watts

**Museum Pedestal**

36 Watts

**Boutique Case**

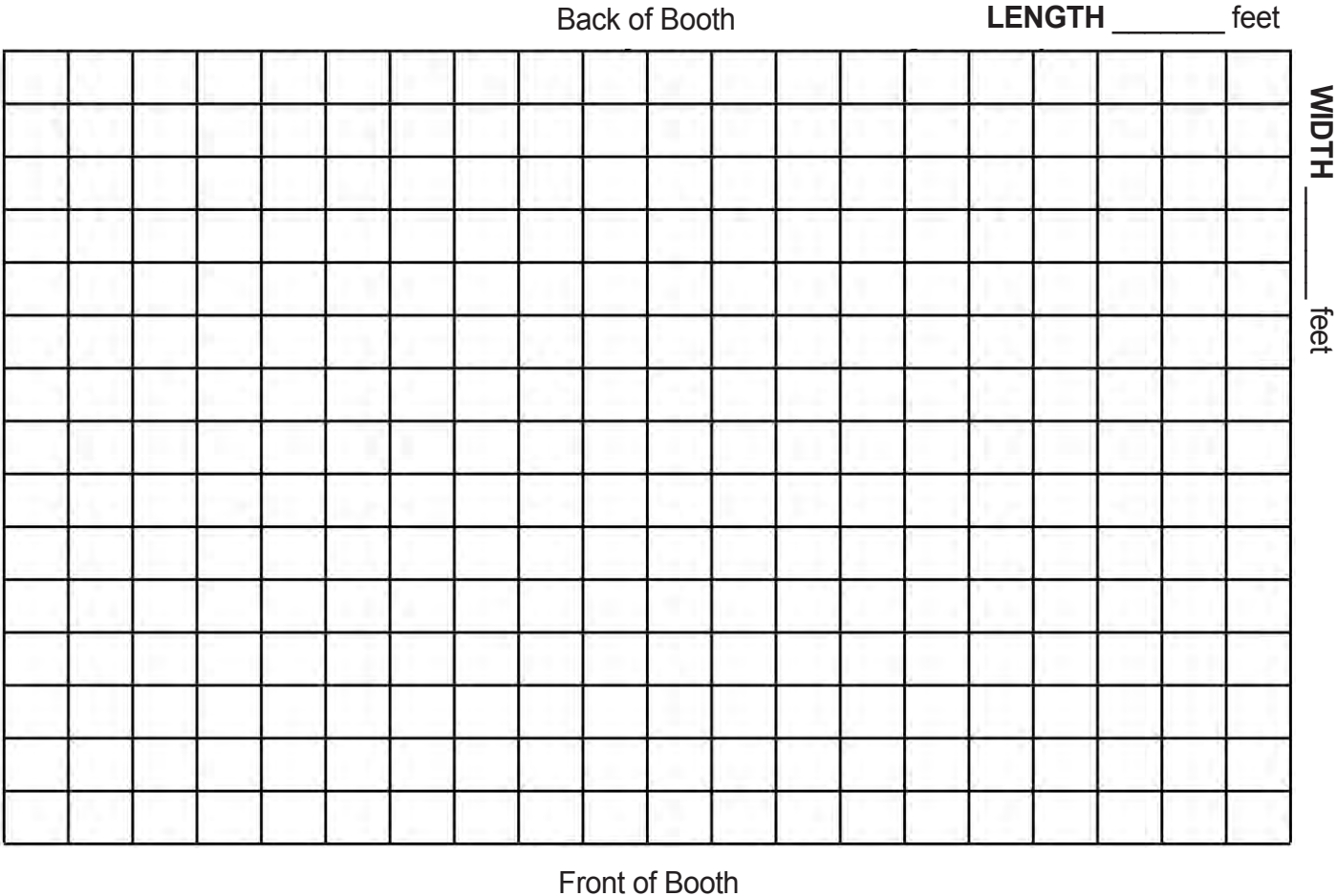
84 Watts

*Please complete company name, credit card information and booth layout located on the final pages. This is required to process your order.*

**— AMERICAN —**  
**FIXTURE & DISPLAY**  
**THE SHOWCASE PEOPLE**

**BOOTH LAYOUT DIAGRAM**

PLEASE INDICATE YOUR BOOTH DIMENSIONS AND THE MANNER IN WHICH YOU WOULD LIKE THE SHOWCASES PLACED IN YOUR BOOTH(S). **THIS COMPLETED LAYOUT IS REQUIRED TO CONFIRM YOUR ORDER.**



EXHIBITOR NAME: \_\_\_\_\_

BOOTH NO: \_\_\_\_\_ BOOTH DIMENSIONS (LENGTH x WIDTH) \_\_\_\_\_ FEET

**ORDERS AND BOOTH LAYOUT DUE BY APRIL 29, 2022 | ULTRA LINE DUE BY APRIL 22, 2022**

**American Fixture & Display Corp.**  
 Phone: (718) 463-2176 • Fax: (718) 463-4302  
 Email: [orders@americanfixture.com](mailto:orders@americanfixture.com) • Web: [americanfixture.com](http://americanfixture.com)

*Please complete company name, credit card information and booth layout located on the final pages. This is required to process your order.*

CASES ARE RENTED FOR DISPLAY PURPOSES ONLY AND WE DO NOT WARRANT THE SAFETY OR SECURITY THEREOF. WE ARE NOT LIABLE FOR CONTENTS, DAMAGE OR BREAKAGE AFTER CASES HAVE BEEN DELIVERED.

# SHOWCASE ORDER FORM

Please complete the following information and submit it along with your showcase selections and booth layout diagram (previous page).

## CONTACT INFORMATION

COMPANY NAME: \_\_\_\_\_

ADDRESS: \_\_\_\_\_

CITY, STATE, ZIP CODE: \_\_\_\_\_

POINT OF CONTACT NAME: \_\_\_\_\_

EMAILADDRESS: \_\_\_\_\_

PHONE: \_\_\_\_\_ FAX: \_\_\_\_\_

BOOTH NO(S): \_\_\_\_\_

## PAYMENT INFORMATION

DISCOVER / AMEX / VISA / MC #: \_\_\_\_\_ EXP DATE: \_\_\_\_\_

NAME ON CARD: \_\_\_\_\_ SEC CODE: \_\_\_\_\_

SIGNATURE: \_\_\_\_\_ DATE: \_\_\_\_\_

**ORDERS AND BOOTH LAYOUT DUE BY APRIL 29, 2022 | ULTRA LINE DUE BY APRIL 21, 2022**

## TERMS AND CONDITIONS OF RENTAL

American Fixture & Display Corp. and AFD Delaware, Inc. (together, the "Company") shall not be liable for failure to deliver the displays ("Company's Rental Property") or delays occasioned by causes beyond its control, including, but not limited to, strikes, lockouts, fires, flood, hurricanes, war, acts of God, acts of terrorism, labor disputes, pandemics, epidemics, viruses, or delays or interruption of carriers and in no event shall be liable for consequential damages.

The Company shall have the right to charge the full rental price of the Company's Rental Property to the customer ("Lessee") on any orders (i) canceled after the deadline date; or (ii) that have been delivered to the location of the rental, regardless of whether the event takes place.

Glass shelves must be properly installed by Lessee and not overloaded with merchandise. To avoid breaking of shelves, personal injury and damage to merchandise, the Lessee must use reasonable discretion in the amount of weight placed on the glass shelves. Installation and loading of the glass shelves is beyond the Company's control and the Company shall not be responsible for broken glass, damage of merchandise or personal injury related thereto.

In the event of any damage to the Company Rental Property during the rental period, excluding normal wear and tear, the Lessee shall pay to Company, on demand, the full cost of repair or replacement of such damaged display cases. Lessee further agrees to accept full responsibility and liability, and Lessee shall indemnify, defend and hold harmless Company, for any injury to Lessee, for any damage to the property of Lessee, for any injury to any other person(s), for any damage to the property of any other person(s) and any other loss that may result through the use or misuse of the Company's Rental Property. Lessee agrees and acknowledges that Lessee is subject to additional charges if Lessee fails to return the Company's Rental Property to Company or fails to make the Company's Rental Property available to Company for pick-up at the time and date mutually agreed to by both parties.

Lessee agrees to accept full responsibility and liability, and shall indemnify, defend and hold harmless Company and its agents, employees, officers or directors from and against any and all liability, claims, demands (whether or not groundless, false, or fraudulent), costs, damages, losses, judgments, or awards, including legal and attorney fees, brought by a third party or parties and arising out of or in any way connected with any act or omission of Lessee or its employees or other persons.

The Company's Rental Property are rented for display purposes only and Company does not warrant the safety or security thereof. Company shall not be liable for contents, damage or breakage after the Company's Rental Property have been delivered.