

STANDARD WHITE FEATURES:

- Fluorescent lighting
- LED lighting available for an additional \$85 per showcase
- Aluminum frame
- Matte white formica exterior
- Solid sides
- Sliding doors with lock (no mirrors)
- Rear storage area with lock in half and quarter vision cases
- Available in 4', 5' and 6' lengths and corner cases
- 38" high and 20" deep
- Showcases are available in full, half and quarter vision
- Corner cases are available in half and quarter vision only



SIZE	QUANTITY			ADVANCED PRICE	PRICE FOR ORDERS RECEIVED AFTER 04/11/2025	SHOW SITE PRICE	TOTAL
	FULL VISION	HALF VISION	QUARTER VISION				
4 FOOT				\$405.00	\$480.00	\$605.00	
5 FOOT				\$405.00	\$480.00	\$605.00	
6 FOOT				\$405.00	\$480.00	\$605.00	
34" CORNER	X			\$425.00	\$500.00	\$625.00	

* MANDATORY ELECTRIC FEE - Add \$25.00 per showcase \$ _____

Add \$85.00 per showcase for LED lighting \$ _____

SUBTOTAL \$ _____

8.375% SALES TAX \$ _____

TOTAL DUE \$ _____

ONLINE ORDERING AVAILABLE
VISIT AMERICANFIXTURE.COM

COMPANY NAME _____

BOOTH NUMBER _____

ORDERS AND BOOTH LAYOUT DUE BY APRIL 11, 2025

American Fixture & Display Corp.

Phone: (718) 463-2176 • Fax: (718) 463-4302

Email: orders@americanfixture.com • Web: americanfixture.com

Please complete company name, credit card information and booth layout located on the final pages. This is required to process your order.

ECB A P d a e p A [] ^ & c j } A ^ A A A C I E E A ^ A @ . & e e A @ e A ^ A) A ^ * [c a e e a S ^ A U ^ a A O z @ e a j } • A j A j • ^ A A A { [[c O [[c ^ E j A j A e @ e a j : • E O E ^ i a e e A D e r c ^ A B A O e] j e s A O [!] E e A e i ^ A a A q A e • a c h ^ A j [^ & c j * A e @ A ^ A e j a A ^ { a e j * A e j A e @ A e j] [] i a e e A e d e e • E U ^ e e ^ A [e A A ^ A ^] @) ^ A i a ^ A [e A e e A] e a E A

DESIGNER LINE FEATURES:



- Fluorescent lighting
- Halogen lighting available for an additional \$50 per showcase
- LED lighting available for an additional \$85 per showcase
- Aluminum frame
- Textured designer gray formica exterior
- Glass sides
- Mirrored sliding doors with lock
- Rear storage area with lock in half and quarter vision only
- Available in 4', 5' and 6' lengths and corner cases
- 39" high and 20" deep
- Showcases are available in full, half and quarter vision
- Corner cases are available in half and quarter vision only

SIZE	QUANTITY			ADVANCED PRICE	PRICE FOR ORDERS RECEIVED AFTER 04/11/2025	SHOW SITE PRICE	TOTAL
	FULL VISION	HALF VISION	QUARTER VISION				
4 FOOT				\$435.00	\$510.00	\$635.00	
5 FOOT				\$435.00	\$510.00	\$635.00	
6 FOOT				\$435.00	\$510.00	\$635.00	
34" CORNER	X			\$450.00	\$525.00	\$650.00	
42" CORNER	X	X		\$470.00	\$545.00	\$670.00	

* MANDATORY ELECTRIC FEE - Add \$25.00 per showcase \$ _____

Add \$50.00 per showcase for Halogen lighting \$ _____

Add \$85.00 per showcase for LED lighting \$ _____

SUBTOTAL \$ _____

8.375% SALES TAX \$ _____

TOTAL DUE \$ _____

COMPANY NAME _____

BOOTH NUMBER _____

ONLINE ORDERING AVAILABLE
VISIT AMERICANFIXTURE.COM

ORDERS AND BOOTH LAYOUT DUE BY APRIL 11, 2025

American Fixture & Display Corp.

Phone: (718) 463-2176 • Fax: (718) 463-4302

Email: orders@americanfixture.com • Web: americanfixture.com

Please complete company name, credit card information and booth layout located on the final pages. This is required to process your order.

© 2025 American Fixture & Display Corp. All rights reserved. This document is the property of American Fixture & Display Corp. and is to be used only for the purpose of providing information regarding the Designer Line showcase. No part of this document may be reproduced without the prior written permission of American Fixture & Display Corp.

CASES ARE RENTED FOR DISPLAY PURPOSES ONLY AND WE DO NOT WARRANT THE SAFETY OR SECURITY THEREOF. WE ARE NOT LIABLE FOR CONTENTS, DAMAGE OR BREAKAGE AFTER CASES HAVE BEEN DELIVERED.

Deluxe Line

DELUXE LINE FEATURES:

- Fluorescent lighting
- LED lighting available for an additional \$85 per showcase
- Brushed gold frame
- Glossy black formica exterior
- Glass sides
- Mirrored sliding doors with lock
- Rear storage area with lock
- Available in 4', 5' and 6' lengths and corner cases
- 38" high and 20" deep
- Showcases and corner cases available in half vision and quarter vision only



SIZE	QUANTITY		ADVANCED PRICE	PRICE FOR ORDERS RECEIVED AFTER 04/11/2025	SHOW SITE PRICE	TOTAL
	HALF VISION	QUARTER VISION				
4 FOOT			\$455.00	\$530.00	\$655.00	
5 FOOT			\$455.00	\$530.00	\$655.00	
6 FOOT			\$455.00	\$530.00	\$655.00	
34" CORNER			\$485.00	\$560.00	\$685.00	

* MANDATORY ELECTRIC FEE - Add \$25.00 per showcase \$ _____

Add \$85.00 per showcase for LED lighting \$ _____

SUBTOTAL \$ _____

8.375% SALES TAX \$ _____

TOTAL DUE \$ _____

COMPANY NAME _____

BOOTH NUMBER _____

ONLINE ORDERING AVAILABLE
VISIT AMERICANFIXTURE.COM

ORDERS AND BOOTH LAYOUT DUE BY APRIL 11, 2025

American Fixture & Display Corp.

Phone: (718) 463-2176 • Fax: (718) 463-4302

Email: orders@americanfixture.com • Web: americanfixture.com

Please complete company name, credit card information and booth layout located on the final pages. This is required to process your order.

ECB A P d a e p A () } ^ & c j } A ^ A A C I E E A ^ A @ . & e e ^ A @ e A ^ A } A ^ * [c a e e a A ^ A ^ a A O z @ e a j } . A j A ^ . ^ A A { [[c @ [c ^ E j A j A e @ e a j ! . E O E ^ i a e e A D e a c ^ i ^ A B A O e] j e s A O [!] E e A e i ^ A a A q A e . a o A ^ B j | | ^ & c j * A @ A ^ A e j a A ^ { a e j * A e j A e A e j } | [] i a e A e e e e . E U ^ e e ^ A [e A A ^ A] @) ^ A i a ^ A j [e a e e A] e a E A

ELITE LINE FEATURES:

- Halogen lighting
- LED lighting available for an additional \$60 per showcase
- Brushed gold frame
- Verdigris formica exterior
- Glass sides
- Mirrored sliding doors with lock
- Rear storage area with lock
- Available in 4', 5' and 6' lengths and corner cases
- 39" high and 20" deep
- Showcases and corner cases are available in half vision and quarter vision only



SIZE	QUANTITY		ADVANCED PRICE	PRICE FOR ORDERS RECEIVED AFTER 04/11/2025	SHOW SITE PRICE	TOTAL
	HALF VISION	QUARTER VISION				
4 FOOT			\$490.00	\$565.00	\$690.00	
5 FOOT			\$490.00	\$565.00	\$690.00	
6 FOOT			\$490.00	\$565.00	\$690.00	
34" CORNER			\$515.00	\$590.00	\$715.00	

* MANDATORY ELECTRIC FEE - Add \$25.00 per showcase \$ _____

Add \$60.00 per showcase for LED lighting \$ _____

SUBTOTAL \$ _____

8.375% SALES TAX \$ _____

TOTAL DUE \$ _____

**ONLINE ORDERING
AVAILABLE**
VISIT AMERICANFIXTURE.COM

COMPANY NAME _____

BOOTH NUMBER _____

ORDERS AND BOOTH LAYOUT DUE BY APRIL 11, 2025

American Fixture & Display Corp.

Phone: (718) 463-2176 • Fax: (718) 463-4302

Email: orders@americanfixture.com • Web: americanfixture.com

Please complete company name, credit card information and booth layout located on the final pages. This is required to process your order.

ECB A P d a e p A () } ^ & c j } A ^ A A A C I E E A ^ A @ . & e e ^ A @ e A ^ A } A ^ * [c a e e a A S ^ A ^ A A O z @ e a j } . A j A j . ^ A A A { [[c Q [c ^ E j A j A e @ e a j ! . E O E ^ i a e e A D e a r c ^ A B A O e] j e s A O [!] E e @ A e ^ A A A q A e . a o h ^ A j | | ^ & c j * A @ A ^ A e j a A ^ { a e j * A e j A e @ A e j } | | i a e e A e d e e . E U ^ e e ^ A [e ^ A A ^ A] @) ^ A j a ^ A [e a e e A] e a E A

Ultra Line

ULTRA LINE FEATURES:

- LED lighting available in:
 - 3000K Yellow
 - 6000K White
- Aluminum frame
- Black or matte white exterior
- Glass sides
- Glass sliding doors with lock
- Rear storage area with lock available on half and quarter vision showcases only
- Available in 4', 5', and 6' lengths and corner cases
- 41½" high and 20" deep (48" corner is 27½" deep)
- Showcases and corner cases are available in full vision, half vision, and quarter vision



BLACK/FULL VISION SHOWN HERE

SIZE	QUANTITY			BLACK or WHITE	3000K or 6000K	ADVANCED PRICE	PRICE FOR ORDERS RECEIVED AFTER 04/11/2025	SHOW SITE PRICE	TOTAL
	FULL VISION	HALF VISION	QUARTER VISION						
4 FOOT						\$555.00	\$630.00	\$755.00	
5 FOOT						\$555.00	\$630.00	\$755.00	
6 FOOT						\$555.00	\$630.00	\$755.00	
34" CORNER						\$575.00	\$650.00	\$775.00	
48" CORNER						\$595.00	\$670.00	\$795.00	

* MANDATORY ELECTRIC FEE - Add \$25.00 per showcase \$ _____

SUBTOTAL \$ _____

8.375% SALES TAX \$ _____

TOTAL DUE \$ _____

ONLINE ORDERING AVAILABLE
VISIT AMERICANFIXTURE.COM

COMPANY NAME _____

BOOTH NUMBER _____

ORDERS AND BOOTH LAYOUT DUE BY APRIL 11, 2025

American Fixture & Display Corp.

Phone: (718) 463-2176 • Fax: (718) 463-4302

Email: orders@americanfixture.com • Web: americanfixture.com

Please complete company name, credit card information and booth layout located on the final pages. This is required to process your order.

ECB A P d a e p A () } ^ & c j } A ^ A A C I E E A ^ A @ . & e e ^ A @ e A ^ A } A ^ * [c a e a s ^ A ^ a A O z @ e a j } . A j A ^ . ^ A e A { [[c a [c ^ e j A j A e @ e a j ! . E O E ^ i a e e A D e r c ! ^ A B A O e] j e s A O [!] E e A e ! ^ a a A q A e . a o s ^ A j [^ & c j * A @ A ^ A e j a A ^ { a e j * A e j A e @ A e j] [] i a e A e d e . E U ^ e ^ A j [e ^ A ^ A ^ P] ^ A i a ^ A j [e a e e ^] e a E A

Accent Cube



WHITE SHOWN HERE

WHITE or DESIGNER LINES

- Aluminum frame
- Halogen lighting
- LED lighting available for an additional \$45
- Standard white or textured gray formica exterior
- 18" wide x 18" deep x 70" high
- 18" wide x 18" deep x 18" high glass display area
- Hinged frameless glass door with lock
- Storage area with lock

DELUXE or ELITE LINES

- Brushed gold frame
- Halogen lighting
- LED lighting available for an additional \$45
- Glossy black or verdigris formica exterior
- 18" wide x 18" deep x 70" high
- 18" wide x 18" deep x 18" high glass display area
- Hinged frameless glass door with lock
- Storage area with lock



DELUXE SHOWN HERE

STYLE	QUANTITY	ADVANCED PRICE	PRICE FOR ORDERS RECEIVED AFTER 04/11/2025	SHOW SITE PRICE	TOTAL
STANDARD WHITE		\$430.00	\$505.00	\$630.00	
DESIGNER		\$430.00	\$505.00	\$630.00	
DELUXE		\$430.00	\$505.00	\$630.00	
ELITE		\$430.00	\$505.00	\$630.00	

* MANDATORY ELECTRIC FEE - Add \$25.00 per showcase \$ _____

Add \$45.00 per accent cube for LED lighting \$ _____

SUBTOTAL \$ _____

8.375% SALES TAX \$ _____

TOTAL DUE \$ _____

COMPANY NAME _____

BOOTH NUMBER _____

ONLINE ORDERING AVAILABLE
VISIT AMERICANFIXTURE.COM

ORDERS AND BOOTH LAYOUT DUE BY APRIL 11, 2025

American Fixture & Display Corp.

Phone: (718) 463-2176 • Fax: (718) 463-4302

Email: orders@americanfixture.com • Web: americanfixture.com

Please complete company name, credit card information and booth layout located on the final pages. This is required to process your order.

American Fixture & Display Corp. is not responsible for any damage or breakage to cases after delivery. Cases are rented for display purposes only and we do not warrant the safety or security thereof. We are not liable for contents, damage or breakage after cases have been delivered.

CASES ARE RENTED FOR DISPLAY PURPOSES ONLY AND WE DO NOT WARRANT THE SAFETY OR SECURITY THEREOF. WE ARE NOT LIABLE FOR CONTENTS, DAMAGE OR BREAKAGE AFTER CASES HAVE BEEN DELIVERED.



DELUXE SHOWN HERE

CHOICES:

- **STANDARD WHITE** Aluminum frame with a matte white formica exterior
- **DESIGNER** Aluminum frame with a textured gray formica exterior
- **DELUXE** Brushed gold frame with a glossy black formica exterior
- **ELITE** Brushed gold frame with a verdigris formica exterior

FEATURES:

- Halogen lighting
- LED lighting available for an additional \$45 per tower
- 6" canopy
- 3 adjustable glass shelves
- Clear glass on four sides
- Hinged framed door with lock
- 20" wide x 20" deep x 80" high
- 20" wide x 20" deep x 54" high glass display area



DESIGNER SHOWN HERE

STYLE	QUANTITY	ADVANCED PRICE	PRICE FOR ORDERS RECEIVED AFTER 04/11/2025	SHOW SITE PRICE	TOTAL
STANDARD WHITE		\$440.00	\$515.00	\$640.00	
DESIGNER		\$440.00	\$515.00	\$640.00	
DELUXE		\$440.00	\$515.00	\$640.00	
ELITE		\$440.00	\$515.00	\$640.00	

* MANDATORY ELECTRIC FEE - Add \$25.00 per showcase \$ _____

Add \$45.00 per tower for LED lighting \$ _____

SUBTOTAL \$ _____

8.375% SALES TAX \$ _____

TOTAL DUE \$ _____

COMPANY NAME _____

BOOTH NUMBER _____



ORDERS AND BOOTH LAYOUT DUE BY APRIL 11, 2025

American Fixture & Display Corp.

Phone: (718) 463-2176 • Fax: (718) 463-4302

Email: orders@americanfixture.com • Web: americanfixture.com

Please complete company name, credit card information and booth layout located on the final pages. This is required to process your order.

ECB A P & d a e p A [] } ^ & c j } A ^ A A A C I E C A ^ A @ . & e ^ A @ e A ^ A } A ^ * [c a e a s ^ A ^ a A O z @ a a j } . A / A ^ * ^ A A { [[c a [c a B A / A e @ a j ! . B O I ^ i a e a A d a r c ! ^ A B O a] j e s A O [!] E C e A e ! ^ a a A q f A e . a c h ^ B [! ^ & c j } ^ B @ A ^ A a A ^ { a a j } ^ B / A @ A a j ! [] i a e A e d e a . E U ^ e ^ A [e ^ A ^ A ^] @) ^ A i a ^ A [c a e s ^] e a E A

Museum Pedestal



CHOICES:

- WHITE: Aluminum frame with matte white formica exterior
- DELUXE: Brushed gold frame with glossy black formica exterior
- BEIGE: Brushed gold frame with beige formica exterior

FEATURES:

- Halogen lighting
- LED lighting available for an additional \$60 per museum pedestal
- 8" canopy
- Glass doors with lock
- Storage area with lock
- 30" wide x 20" deep x 70" high
- 30" wide x 20" deep x 20" high glass display area

STYLE	QUANTITY	ADVANCED PRICE	PRICE FOR ORDERS RECEIVED AFTER 04/11/2025	SHOW SITE PRICE	TOTAL
White		\$495.00	\$570.00	\$695.00	
Deluxe		\$495.00	\$570.00	\$695.00	
Beige		\$495.00	\$570.00	\$695.00	

* MANDATORY ELECTRIC FEE - Add \$25.00 per showcase \$ _____

Add \$60.00 per museum pedestal for LED lighting \$ _____

SUBTOTAL \$ _____

8.375% SALES TAX \$ _____

TOTAL DUE \$ _____

COMPANY NAME _____

BOOTH NUMBER _____

ONLINE ORDERING AVAILABLE
VISIT AMERICANFIXTURE.COM

ORDERS AND BOOTH LAYOUT DUE BY APRIL 11, 2025

American Fixture & Display Corp.

Phone: (718) 463-2176 • Fax: (718) 463-4302

Email: orders@americanfixture.com • Web: americanfixture.com

Please complete company name, credit card information and booth layout located on the final pages. This is required to process your order.

ECB A P d a e p A [] ^ & c j } A ^ A A A C I E E A ^ A @ . & e e ^ A @ e A ^ A } A ^ * [c a e e a s ^ A U ^ a A O z @ e a e j } . A j A j ^ ^ A A { [[c O A [c ^ E j A j A e @ e a j] . E O E ^ i a e e A D e a r c ^ A B A O e] j e s A O [!] E E e A e i ^ a a A q f A e . a c h ^ A j [^ & c j * A @ A ^ A e j a A ^ { a e j * A e j A @ A e j] [] i a e A e d e . E U ^ e ^ A [e ^ A ^ A ^] @) ^ A i a ^ A [e a e e ^] e a E A

CASES ARE RENTED FOR DISPLAY PURPOSES ONLY AND WE DO NOT WARRANT THE SAFETY OR SECURITY THEREOF. WE ARE NOT LIABLE FOR CONTENTS, DAMAGE OR BREAKAGE AFTER CASES HAVE BEEN DELIVERED.

Boutique Case



CHOICES:

- DESIGNER: Aluminum frame with textured gray formica exterior
- DELUXE: Brushed gold frame with glossy black formica exterior

FEATURES:

- Fluorescent lighting
- LED lighting available for an additional \$60 per boutique case
- 5" canopy
- Solid back or glass back
- 3 rows of adjustable glass shelves
- Glass doors with lock
- Storage area with lock
- 48" wide x 13" deep x 76" high
- 48" wide x 13" deep x 44" high glass display area

STYLE	QUANTITY		ADVANCED PRICE	PRICE FOR ORDERS RECEIVED AFTER 04/11/2025	SHOW SITE PRICE	TOTAL
	SOLID BACK	GLASS BACK				
Designer			\$525.00	\$600.00	\$725.00	
Deluxe			\$525.00	\$600.00	\$725.00	

* MANDATORY ELECTRIC FEE - Add \$25.00 per showcase \$ _____

Add \$60.00 per boutique case for LED lighting \$ _____

SUBTOTAL \$ _____

8.375% SALES TAX \$ _____

TOTAL DUE \$ _____

COMPANY NAME _____

BOOTH NUMBER _____



ORDERS AND BOOTH LAYOUT DUE BY APRIL 11, 2025

American Fixture & Display Corp.

Phone: (718) 463-2176 • Fax: (718) 463-4302

Email: orders@americanfixture.com • Web: americanfixture.com

Please complete company name, credit card information and booth layout located on the final pages. This is required to process your order.

ECB A P d a e p A [] } ^ & c j } A ^ A A A C I E E A ^ A @ . s e e ^ A @ e A ^ A) A ^ * [c a e a s ^ A ^ a A O z Q u a j } . A j A j . ^ A e A { [[c Q [c ^ E j A j A e Q u a j] . E Q E ^ i s e e A D e r c ^ A B A O e] j e s A O [] E Q e A e i ^ a a A q f A e . a c h ^ A j | | ^ & c j } ^ s @ A ^ A j a A ^ { a u j } ^ s j ^ s @ A j } | [] i a e A e d e . E U ^ e ^ A [e ^ A ^ A ^] @) ^ A i a ^ A [c a e e A] e a E A



FULL VISION SHOWCASE



HALF VISION SHOWCASE



QUARTER VISION SHOWCASE



CORNER SHOWCASE

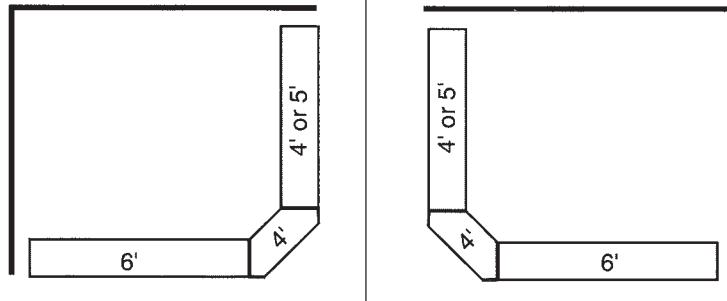
Please complete company name, credit card information and booth layout located on the final pages. This is required to process your order.

Please note: Telephone orders not accepted.

CASES ARE RENTED FOR DISPLAY PURPOSES ONLY AND WE DO NOT WARRANT THE SAFETY OR SECURITY THEREOF. WE ARE NOT LIABLE FOR CONTENTS, DAMAGE OR BREAKAGE AFTER CASES HAVE BEEN DELIVERED.

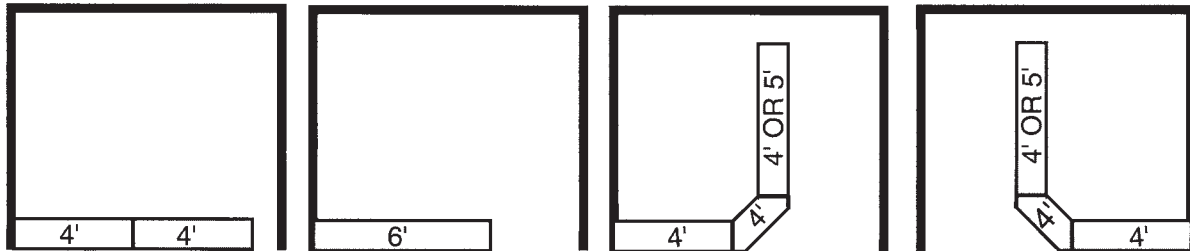
Sample Layouts

10 FOOT X 10 FOOT CORNER BOOTHS

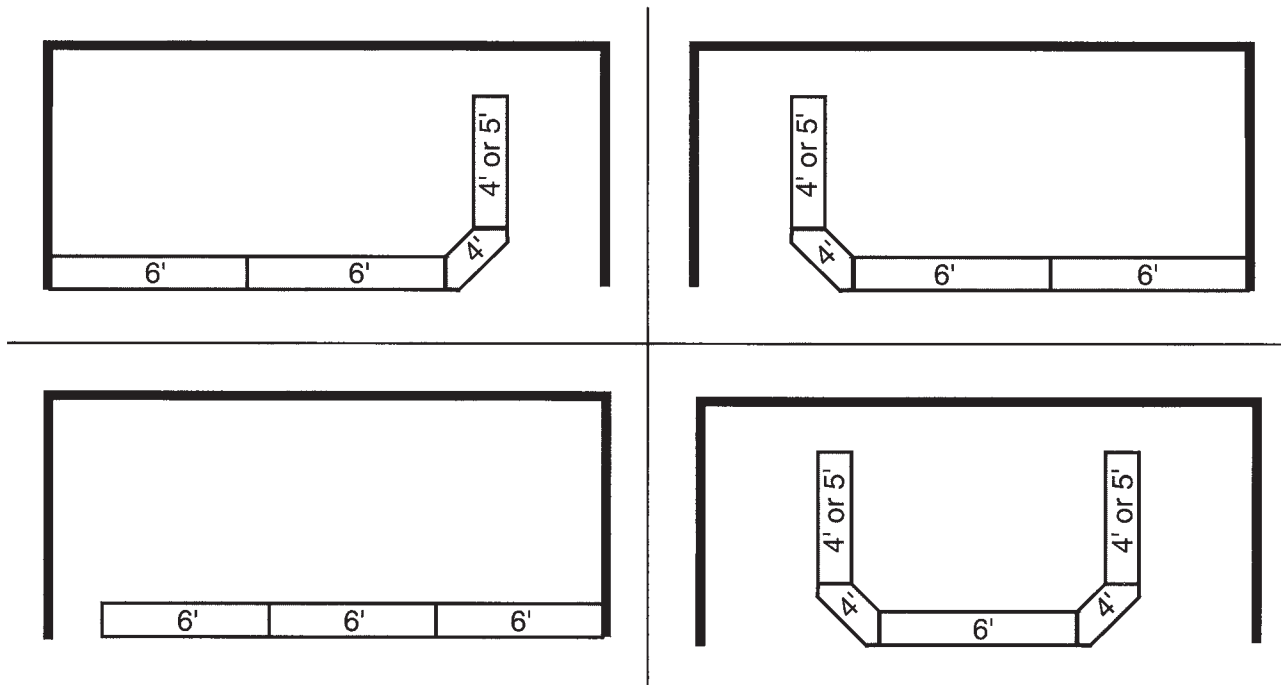


***Please Note:**
If you place your order on our online portal, you can draft your layout using our interactive layout feature.*

10 FOOT X 10 FOOT SINGLE BOOTHS



10 FOOT X 20 FOOT DOUBLE BOOTHS



Please complete company name, credit card information and booth layout located on the final pages. This is required to process your order.

CASES ARE RENTED FOR DISPLAY PURPOSES ONLY AND WE DO NOT WARRANT THE SAFETY OR SECURITY THEREOF. WE ARE NOT LIABLE FOR CONTENTS, DAMAGE OR BREAKAGE AFTER CASES HAVE BEEN DELIVERED.

ELECTRICAL INFORMATION NON-LED LIGHTING

Standard White (Fluorescent)

4'	25 Watts
5'	30 Watts
6'	40 Watts
34" Corner	20 Watts

Designer & Deluxe (Fluorescent)

4'	25 Watts
5'	30 Watts
6'	40 Watts
34" Corner	20 Watts
42" Corner	30 Watts

Designer & Elite (Halogen)

4'	100 Watts
5'	120 Watts
6'	140 Watts
34" Corner	80 Watts
42" Corner	100 Watts

Tower (Halogen)

200 Watts

Museum Pedestal (Halogen)

300 Watts

Accent Cube (Halogen)

White & Designer	150 Watts
Deluxe & Elite	140 Watts

Boutique Case (Fluorescent)

84 Watts

ELECTRICAL INFORMATION

LED LIGHTING

Standard Case – White

4'	33 Watts
5'	42 Watts
6'	49 Watts
34" Corner	26 Watts

Deluxe & Designer Case

4'	42 Watts
5'	48 Watts
6'	54 Watts
34" Corner	36 Watts
42" Corner	42 Watts

Elite Case

4'	12 Watts
5'	15 Watts
6'	17 Watts
34" Corner	9 Watts
42" Corner	12 Watts

Ultra Case – 6000K

4'	42 Watts
5'	48 Watts
6'	54 Watts
34" Corner	36 Watts
48" Corner	90 Watts

Ultra Case – 3000K

4'	12 Watts
5'	15 Watts
6'	17 Watts
34" Corner	9 Watts
48" Corner	16 Watts

Tower

100 Watts

Museum Pedestal

36 Watts

Accent Cube

24 Watts

Boutique

84 Watts

AMERICAN FIXTURE & DISPLAY

THE SHOWCASE PEOPLE

BOOTH LAYOUT DIAGRAM

PLEASE INDICATE YOUR BOOTH DIMENSIONS AND THE MANNER IN WHICH YOU WOULD LIKE THE SHOWCASES PLACED IN YOUR BOOTH(S). ***THIS COMPLETED LAYOUT IS REQUIRED TO CONFIRM YOUR ORDER.***

LENGTH _____ feet

Back of Booth																			

WIDTH _____ feet

Front of Booth

***Please Note:** If you place your order on our online portal, you can draft your layout using our interactive layout feature.*

EXHIBITOR NAME: _____

BOOTH NO: _____ BOOTH DIMENSIONS (LENGTH x WIDTH) _____ FEET

ORDERS AND BOOTH LAYOUT DUE BY APRIL 11, 2025

American Fixture & Display Corp.

Phone: (718) 463-2176 • Fax: (718) 463-4302

Email: orders@americanfixture.com • Web: americanfixture.com

Please complete company name, credit card information and booth layout located on the final pages. This is required to process your order.

CASES ARE RENTED FOR DISPLAY PURPOSES ONLY AND WE DO NOT WARRANT THE SAFETY OR SECURITY THEREOF. WE ARE NOT LIABLE FOR CONTENTS, DAMAGE OR BREAKAGE AFTER CASES HAVE BEEN DELIVERED.

SHOWCASE ORDER FORM

Please complete the following information and submit it along with your showcase selections and booth layout diagram (previous page).

CONTACT INFORMATION

COMPANY NAME: _____

ADDRESS: _____

CITY, STATE, ZIP CODE: _____

POINT OF CONTACT NAME: _____

EMAIL ADDRESS: _____

PHONE: _____ FAX: _____

BOOTH NO(S): _____

PAYMENT INFORMATION

DISCOVER / AMEX / VISA / MC #: _____ EXP DATE: _____

NAME ON CARD: _____ SEC CODE: _____

SIGNATURE: _____ DATE: _____

ORDERS AND BOOTH LAYOUT DUE BY APRIL 11, 2025

TERMS AND CONDITIONS OF RENTAL

American Fixture & Display Corp. and AFD Delaware, Inc. (together, the "Company") shall not be liable for failure to deliver the displays ("Company's Rental Property") or delays occasioned by causes beyond its control, including, but not limited to, strikes, lockouts, fires, flood, hurricanes, war, acts of God, acts of terrorism, labor disputes, pandemics, epidemics, viruses, or delays or interruption of carriers and in no event shall be liable for consequential damages.

The Company shall have the right to charge the full rental price of the Company's Rental Property to the customer ("Lessee") on any orders (i) canceled after the deadline date; or (ii) that have been delivered to the location of the rental, regardless of whether the event takes place.

Glass shelves must be properly installed by Lessee and not overloaded with merchandise. To avoid breaking of shelves, personal injury and damage to merchandise, the Lessee must use reasonable discretion in the amount of weight placed on the glass shelves. Installation and loading of the glass shelves is beyond the Company's control and the Company shall not be responsible for broken glass, damage of merchandise or personal injury related thereto.

In the event of any damage to the Company Rental Property during the rental period, excluding normal wear and tear, the Lessee shall pay to Company, on demand, the full cost of repair or replacement of such damaged display cases. Lessee further agrees to accept full responsibility and liability, and Lessee shall indemnify, defend and hold harmless Company, for any injury to Lessee, for any damage to the property of Lessee, for any injury to any other person(s), for any damage to the property of any other person(s) and any other loss that may result through the use or misuse of the Company's Rental Property. Lessee agrees and acknowledges that Lessee is subject to additional charges if Lessee fails to return the Company's Rental Property to Company or fails to make the Company's Rental Property available to Company for pick-up at the time and date mutually agreed to by both parties.

Lessee agrees to accept full responsibility and liability, and shall indemnify, defend and hold harmless Company and its agents, employees, officers or directors from and against any and all liability, claims, demands (whether or not groundless, false, or fraudulent), costs, damages, losses, judgments, or awards, including legal and attorney fees, brought by a third party or parties and arising out of or in any way connected with any act or omission of Lessee or its employees or other persons.

The Company's Rental Property are rented for display purposes only and Company does not warrant the safety or security thereof. Company shall not be liable for contents, damage or breakage after the Company's Rental Property have been delivered.